

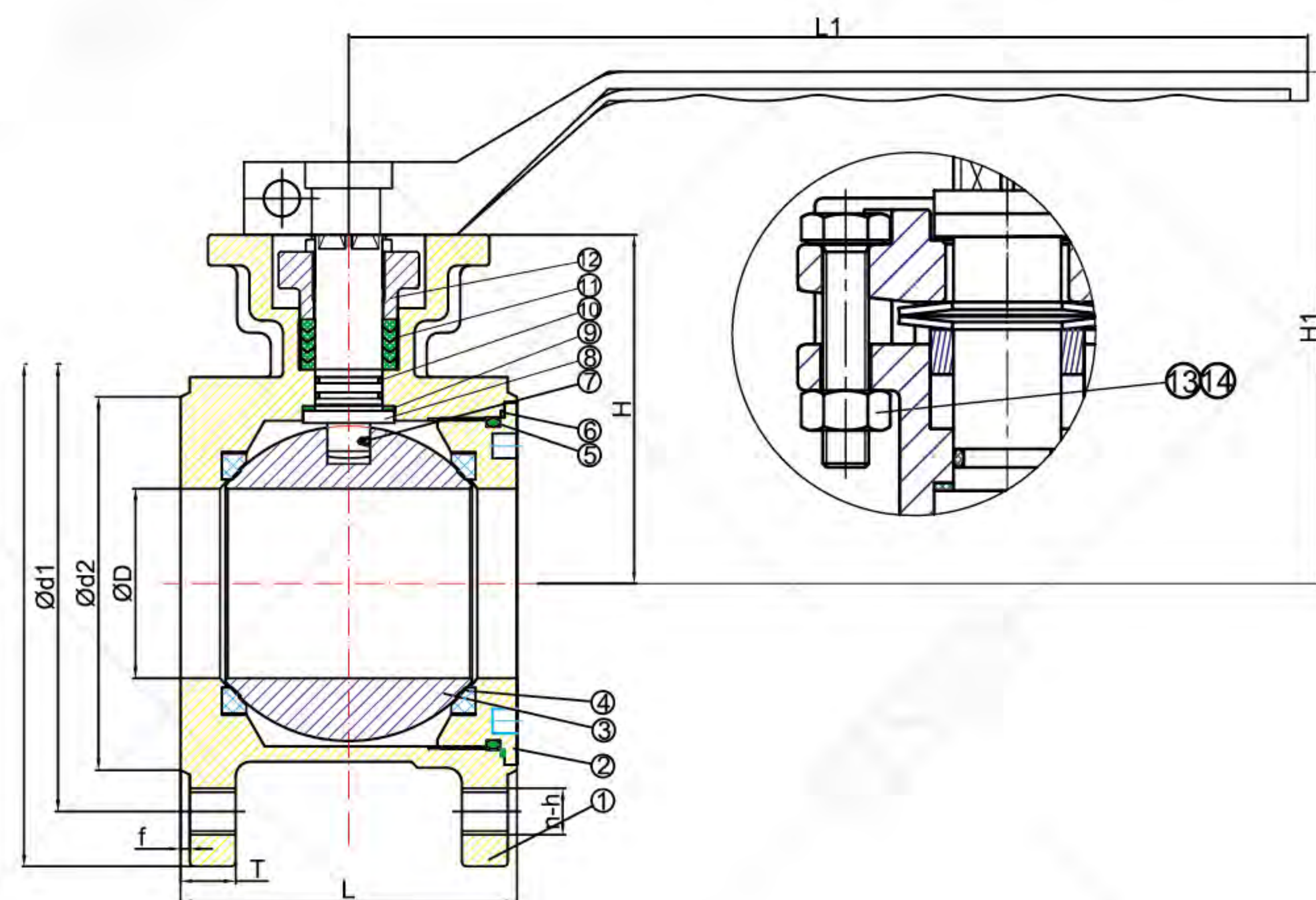
Thin Type Ball Valves

Features

- > Full port stainless ball valve
- > 1/2" through 4"
- > Antistatic device
- > Blowout-proof stem
- > PN16 working pressure
- > Temperature rating varies from with o-ring material
- > API 607 fire safe tested and certified
- > Inspection and testing to current API598, API 6D

Material List

NO.	PARTS NAME	MATERIAL	QTY
1	BODY	1.4308/1.4408	1
2	BONNET	SS304/SS316	1
3	BALL	SS304/SS316	1
4	SEAT	TFM1600	1
5	O-RING	VITON	1
6	SEAT	PTFE	1
7	ESD	SS	1
8	STEM	SS304/SS316	1
9	THRUST WASHER	RPTFE	1
10	O-RING	VITON	2
11	PACKING	TFM1600	3
12	PACKING RING	SS	1
13	NUT	A2-70	2
14	BOLT	A2-70	2



Dimensional Data

Size		D	d	d1	d2	n	h	T	f	L	H	L1	H1	WT (kg)
DN	In.													
15	1/2	15	95	65	45	4	M12	14	2	44	62	165	90	2.5
20	3/4	20	105	75	58	4	M12	16	2	44	62	165	90	3.2
25	1	25	115	85	68	4	M12	16	2	50	68	196	98	4.1
32	1 1/4	32	140	100	78	4	M16	18	2	60	79	196	109	5.8
40	1 1/2	38	150	110	88	4	M16	18	3	65	86	232	123.5	7.6
50	2	49	165	125	102	4	M16	20	3	80	87	232	124.5	9.7
65	2 1/2	62	185	145	122	4	M16	18	3	110	114	300	184	14.5
80	3	74	200	160	138	8	M16	20	3	120	134	300	204	17.1
100	4	100	220	180	158	8	M16	20	3	152	146	400	238	23.4

Valve Operator

Lever operation

- Pneumatic or electric actuators available.
- Limit switches, positioners, solenoid valves and many other customer options available.
- Contact FLOWX for appropriate choice and sizing of valve actuators.

ALL VALVES ARE 100% ELECTRONICALLY TESTED AT 80 PSI IN BOTH THE OPEN AND CLOSED POSITIONS

FLOWX VALVE • WORLD-CLASS VALVE SUPPLIERS • T (86) 021 3497 7873 • F (86) 021 5415 0271 • Email: sales@flowxvalve.com

Thin Type Ball Valves

■ Features of Actuators

- > Heavy duty Rack and pinion design
- > Spring return or double acting
- > Open and closed adjustment stops
- > True NAMUR accessory and ISO mounting
- > Visual indicator, Top Mount indicator
- > High temperature and corrosion resistant models available
- > Solenoids, limit switches, positioners and other accessories are available

- > Fully adjustable limit switches allow for fine control of on-off positions
- > All electric actuators are available for modulating (4-20mA control) or on-off service
- > Motor has thermal overload protection
- > Running Time: 9s/13s/15s/30s/50s/100s/150s
- > Heavy-duty gear train motor with permanent lubrication
- > ISO bottom mounting for direct mount actuation with true ISO valves on most models



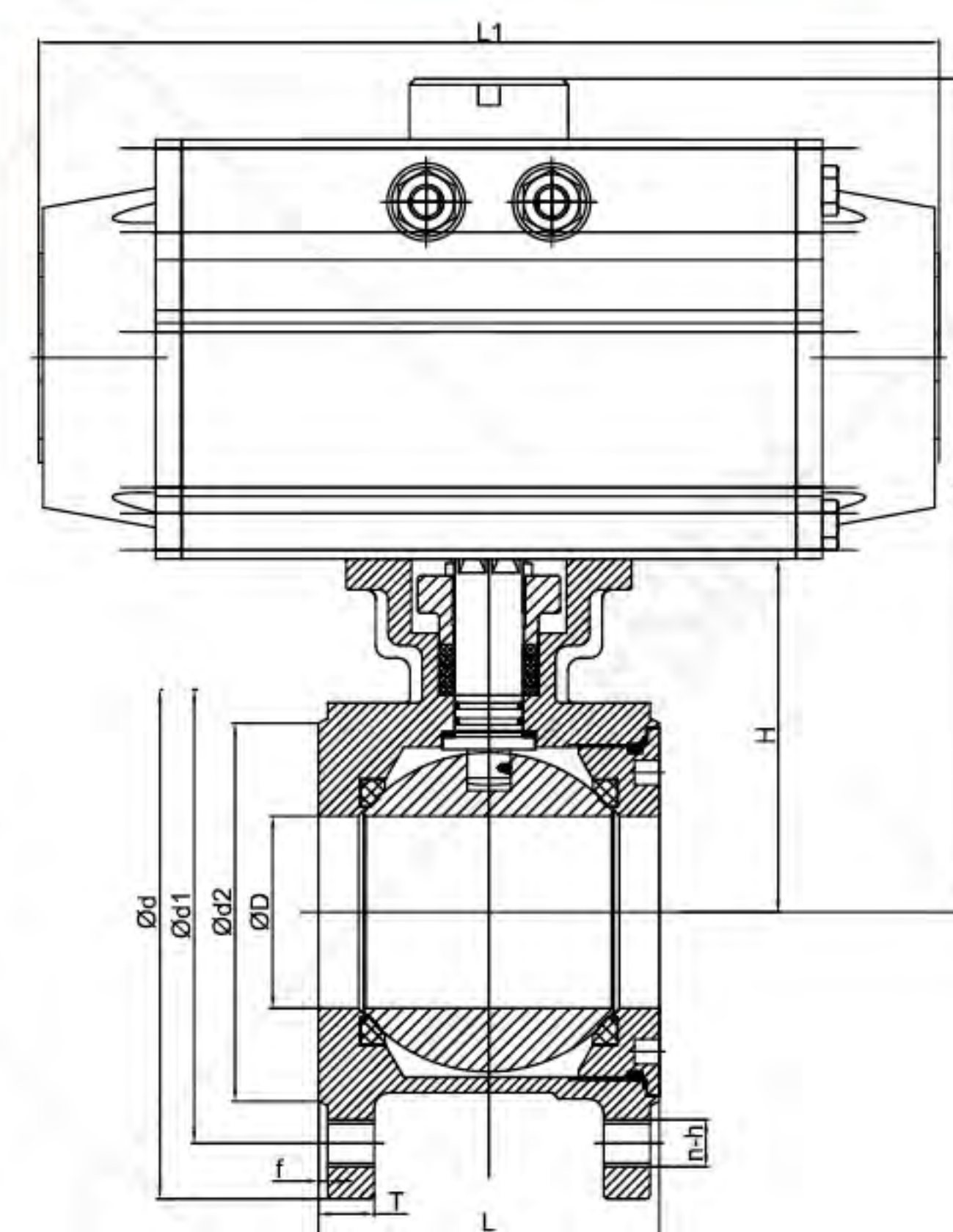
Pneumatically Operated



Electrically Operated

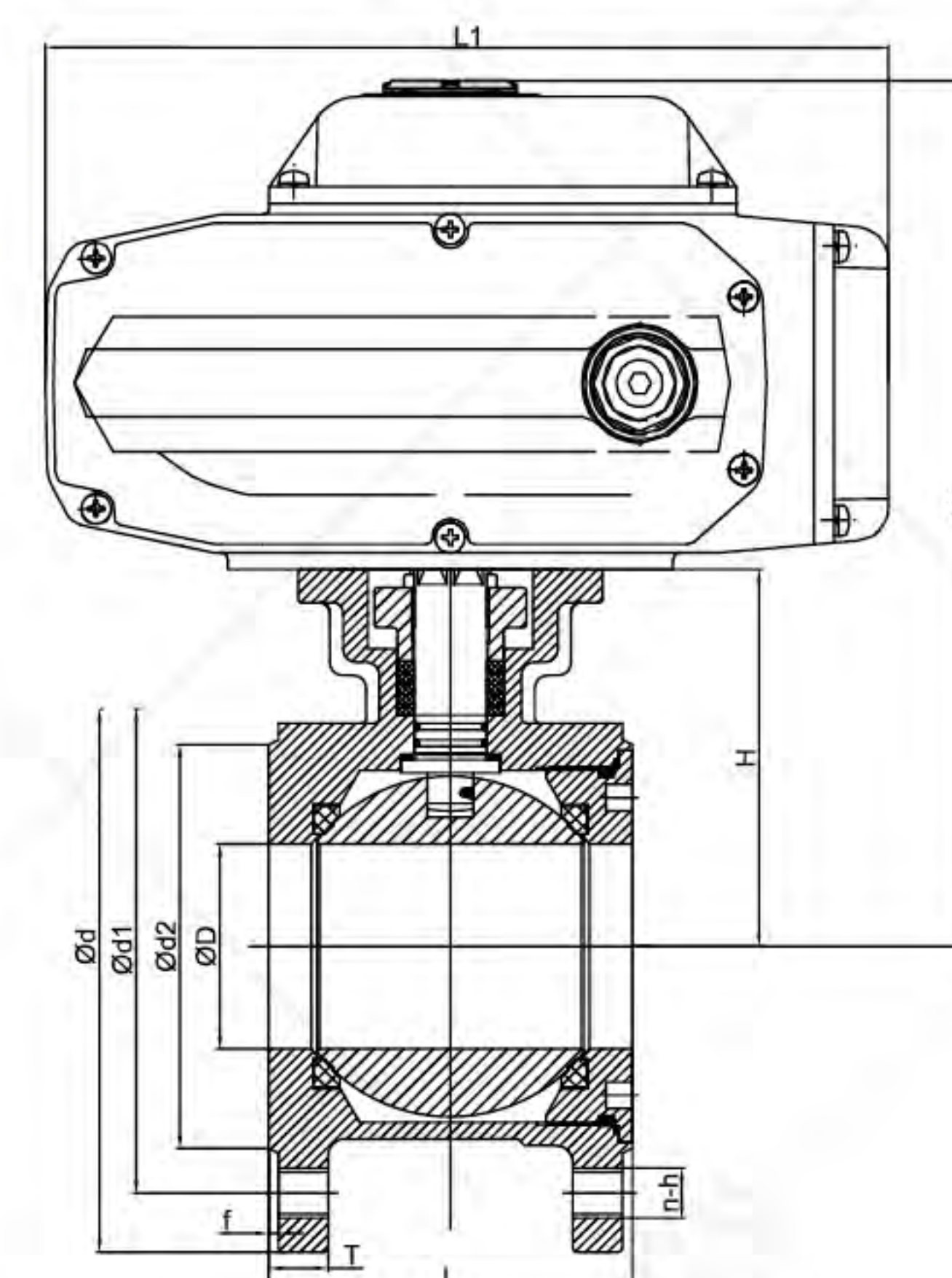
■ Dimensional Data

Size		D	d	d1	d2	n	h	T	f	L	H	SR		DA	
DN	In.											H1	L1	H1	L1
15	1/2	15	95	65	45	4	M12	14	2	44	62	162.5	162	151.5	139.5
20	3/4	20	105	75	58	4	M12	16	2	44	62	179	207	162.5	162
25	1	25	115	85	68	4	M12	16	2	50	68	185	207	168.5	162
32	1 1/4	32	140	100	78	4	M16	18	2	60	79	196	207	179.5	162
40	1 1/2	38	150	110	88	4	M16	18	3	65	86	214.5	237.5	203	207
50	2	49	165	125	102	4	M16	20	3	80	87	228.5	271.5	215	237.5
65	2 1/2	62	185	145	122	4	M16	18	3	110	114	285.5	328	255.5	271.5
80	3	74	200	160	138	8	M16	20	3	120	134	317.5	366	305.5	328
100	4	100	220	180	158	8	M16	20	3	152	146	352	428	329.5	366



■ Dimensional Data

Size		D	d	d1	d2	n	h	T	f	L	H	H1	L1
DN	In.												
15	1/2	15	95	65	45	4	M12	14	2	44	62	199.5	165
20	3/4	20	105	75	58	4	M12	16	2	44	62	199.5	165
25	1	25	115	85	68	4	M12	16	2	50	68	205.5	165
32	1 1/4	32	140	100	78	4	M16	18	2	60	79	216.5	165
40	1 1/2	38	150	110	88	4	M16	18	3	65	86	254.5	211.5
50	2	49	165	125	102	4	M16	20	3	80	87	255.5	211.5
65	2 1/2	62	185	145	122	4	M16	18	3	110	114	317	259
80	3	74	200	160	138	8	M16	20	3	120	134	337	259
100	4	100	220	180	158	8	M16	20	3	152	146	349	259



ALL VALVES ARE 100% ELECTRONICALLY TESTED AT 80 PSI IN BOTH THE OPEN AND CLOSED POSITIONS