

User Manual

FY/JC 20 A / O 15/05 v1.5



Content

Model Type	1
Thread Type.....	4
Input Type.....	7
Sanitary Type	10
Diaphragm Ty.....	13
Single Flange.....	16
Double Flange.....	19
Simple application guide	22
Selection Code.....	24

FDP3000-B Model Type

1、 Summary

FDP3000 single crystal silicon intelligent transmitter ,
Original imported chip and packaging technology ,
The smart transmitter can cope with the most
demanding industrial environment. , A variety of
structural designs can measure pressure, differential
pressure and flow rate in industry.



2、 Main parameter

Type : pressure、 differential pressure

Wetted materials : SUS304、 SUS316、 SUS316L

Diaphragm material : SUS316L、 C-276、 Ta

Shell material : Cast aluminum

Measure scope : pressure : 2kPa-10MPa , differential pressure : 200 kPa -10MPa

Output signal : 4 ~ 20mA+HART two wire system

Accuaracy : $\pm 0.1\%$, $\pm 0.05\%$

Stability : $\pm 0.2\%$

Powder supply : 10.5-55VDC

Electrical interface : M20*1.5 , 1/2" NPT

Surrounding temperature : $-40^{\circ}\text{C} \sim +85^{\circ}\text{C}$

IP grade : IP67

Explosion-proof grade : ExiaIICT4 , ExdIICT6

Weight : 4kg

Keys : 3pcs outside , 3pcs inside

3、 Range and scope

1) Differential pressure measure range :

Nominal value	Smallest calibratable span	Lower range limit (LRL)	Upper range limit (URL)	Static pressure limit	High pressure side overload limit	Low pressure side overload limit
6kPa	200Pa	-6kPa	6kPa	25MPa	25MPa	16MPa
40kPa	400Pa	-40kPa	40kPa	40MPa	25MPa	16MPa
250kPa	2.5kPa	-250kPa	250kPa	40MPa	25MPa	16MPa
1MPa	10kPa	-500kPa	1MPa	40MPa	25MPa	16MPa
3MPa	30kPa	-500kPa	3MPa	40MPa	25MPa	16MPa
10MPa	100kPa	-500kPa	10MPa	40MPa	25MPa	16MPa

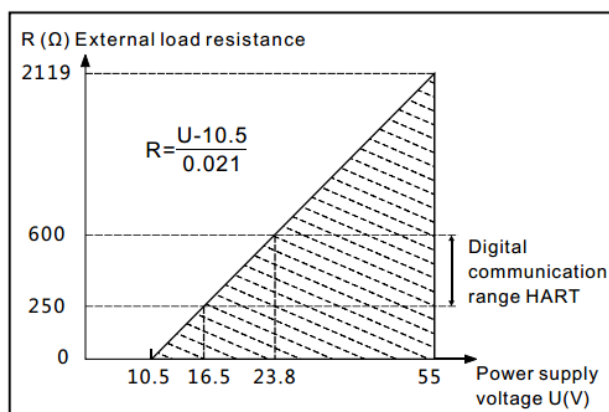
Adjust requirements: lower range value (LRV) and upper range value (URV) can be adjusted within the scope of the upper and lower range limit, when $|URV| \geq |LRV|$, needs $|URV| \geq$ smallest calibratable span
when $|URV| \leq |LRV|$, needs $|LRV| \geq$ smallest calibratable span

2) Pressure measure range :

Nominal value	Smallest calibratable span	Lower range limit (LRL)	Upper range limit (URL)	Overload limit
6kPa	200Pa	-6kPa	6kPa	25MPa
40kPa	400Pa	-40kPa	40kPa	25MPa
250kPa	2.5kPa	-100kPa	250kPa	25MPa
1MPa	10kPa	-100kPa	1MPa	25MPa
3MPa	30kPa	-100kPa	3MPa	25MPa
10MPa	100kPa	-100kPa	10MPa	25MPa
40MPa	400kPa	-100kPa	40MPa	42MPa

Adjust requirements: lower range value (LRV) and upper range value (URV) can be adjusted within the scope of the upper and lower range limit, span= $|URV-LRV| \geq$ smallest calibratable span

4、 Power supply and load requirements



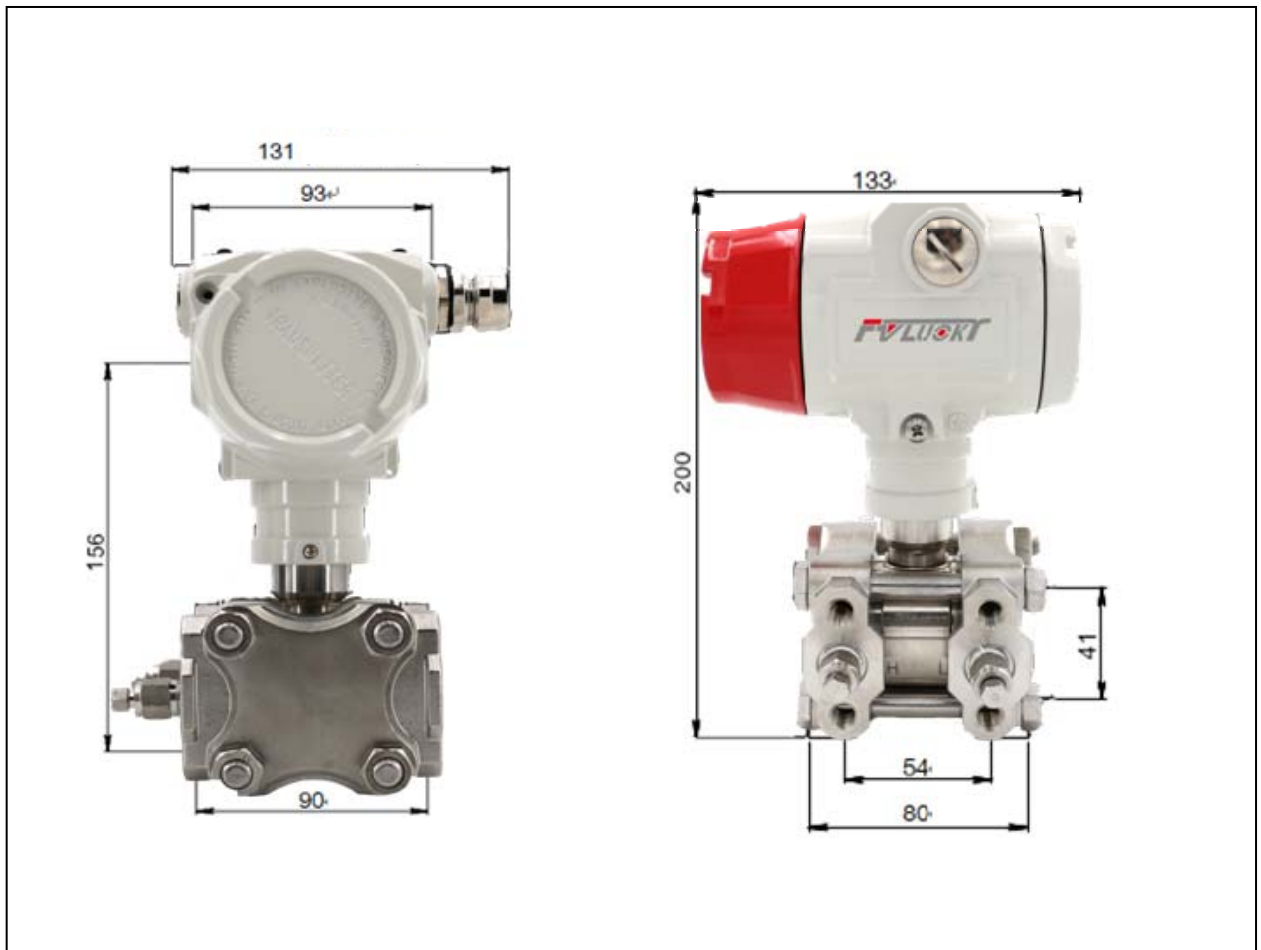
5、 EMC environment

NO.	Test items	Basic standards	Test conditions	Performance level
1	Radiated interference	GB/T 9254/CISPR22	30MHz-1000MHz	OK
2	Conducted interference (DC power port)	GB/T 9254/CISPR22	0.15MHz-30MHz	OK
3	Electrostatic discharge immunity test (ESD)	GB/T 17626.2/IEC61000-4-2	4kV(Contact), 8kV(Air)	B(Note2)
4	Immunity to radio frequency EM-fields	GB/T 17626.3/IEC61000-4-3	10V/m(80MHz-1GHz)	A(Note1)
5	Power frequency magnetic field Immunity test	GB/T 17626.8/IEC61000-4-8	30A/m	A(Note1)
6	Electrical fast transient / Burst Immunity Test	GB/T 17626.4/IEC61000-4-4	2kV(5/50ns, 100kHz)	B(Note2)
7	Surge immunity requirements	GB/T 17626.5/IEC61000-4-5	1kV(Line to line) 2kV(Line to ground) (1.2us/50us)	B(Note2)
8	Immunity to conducted disturbances induced by radio frequency fields	GB/T 17626.6/IEC61000-4-6	3V(150kHz-80MHz)	A(Note1)

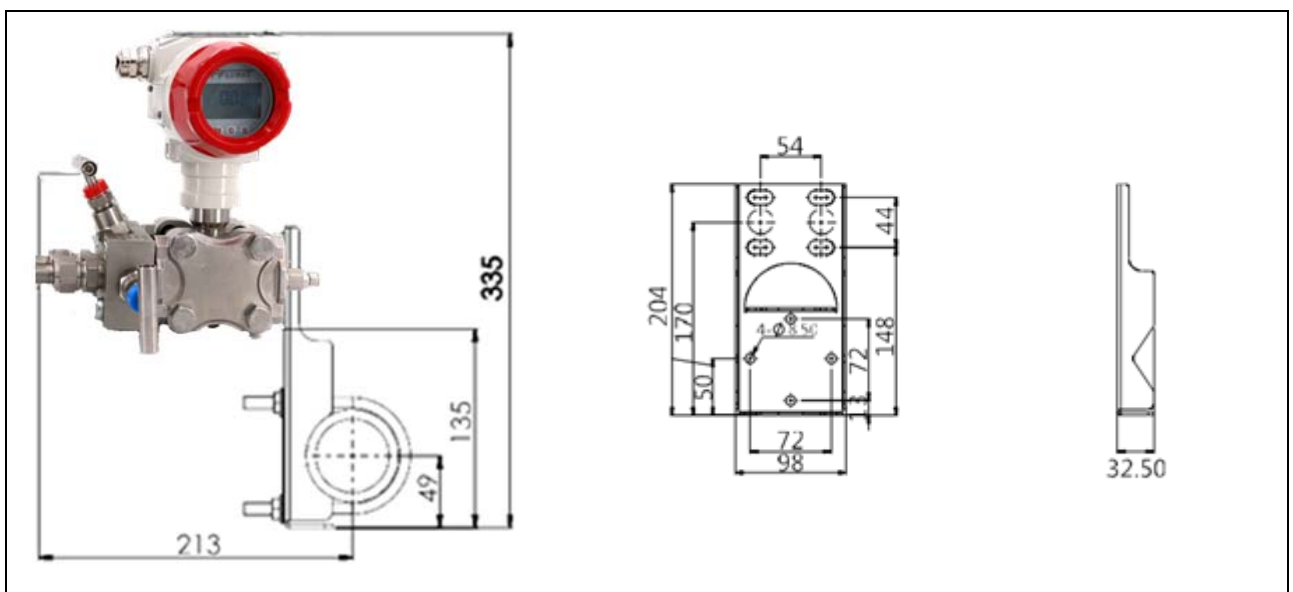
(Note 1) Performance level A: The performance within the limits of normal technical specifications.

(Note 2) Performance level B: Temporary reduction or loss of functionality or performance, it can restore itself. The actual operating conditions, storage and data will not be changed.

6、 Outline dimensional drawing (unit : mm)



7、 Pipe mounting bracket diagram



FDP3000-T Thread Type

1、 Summary

FDP3000 Single crystal silicon intelligent transmitter ,
Original imported chip and packaging technology ,
The smart transmitter can be used in the most
demanding industrial environment , The design of
multiple structures is sufficient to measure industrial
pressure..



2、 Main parameter

Type : pressure

Wetted material : SUS304、 SUS316、 SUS316L

Diaphragm material : SUS316L、 C-276、 Ta

Shell material : Cast aluminum

Range : pressure : 2kPa-10MPa

Output signal : 4 ~ 20mA+HART two wire system

Accuracy : $\pm 0.1\%$

Stability : $\pm 0.2\%$

Powder supply : 10.5-55VDC

Electric interface : M20*1.5 , 1/2" NPT

Surrounding temperature : $-40^{\circ}\text{C} \sim +85^{\circ}\text{C}$

IP grade : IP67

Explosion-proof grade : ExiaIICT4 , ExdIICT6

Weight : 3kg

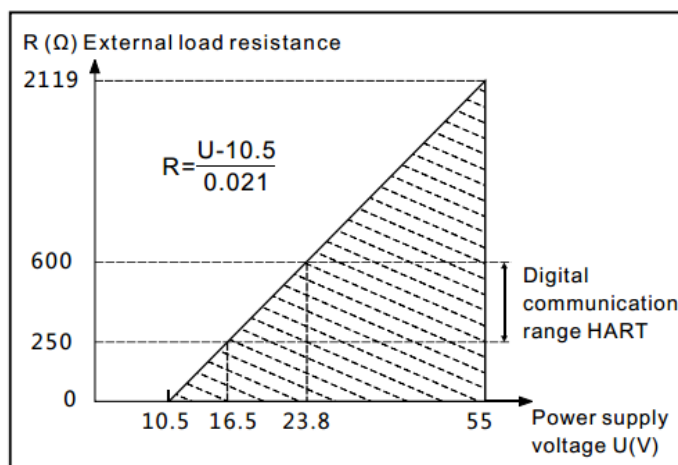
Key : 3pcs outside , 3pcs inside

3、 Range and scope

Nominal value	Smallest calibratable span	Lower range limit(LRL)	Upper range limit(URL)	Overload limit
6kPa	1kPa	-6kPa	6kPa	25MPa
40kPa	2kPa	-40kPa	40kPa	25MPa
250kPa	12.5kPa	-100kPa	250kPa	25MPa
1MPa	50kPa	-100kPa	1MPa	25MPa
3MPa	150kPa	-0.1MPa	3MPa	25MPa
10MPa	500kPa	-0.1MPa	10MPa	25MPa

The unit of the measuring range above can be converted into kg/cm²、 MPa and kPa, etc. Provide other measuring range according to requirements. Adjust requirements: lower range value (LRV) and upper range value (URV) can be adjusted within the scope of the upper and lower range limit, smallest calibratable span ≤ | URV - LRV | ≤ URL

4、 Power supply and load requirements



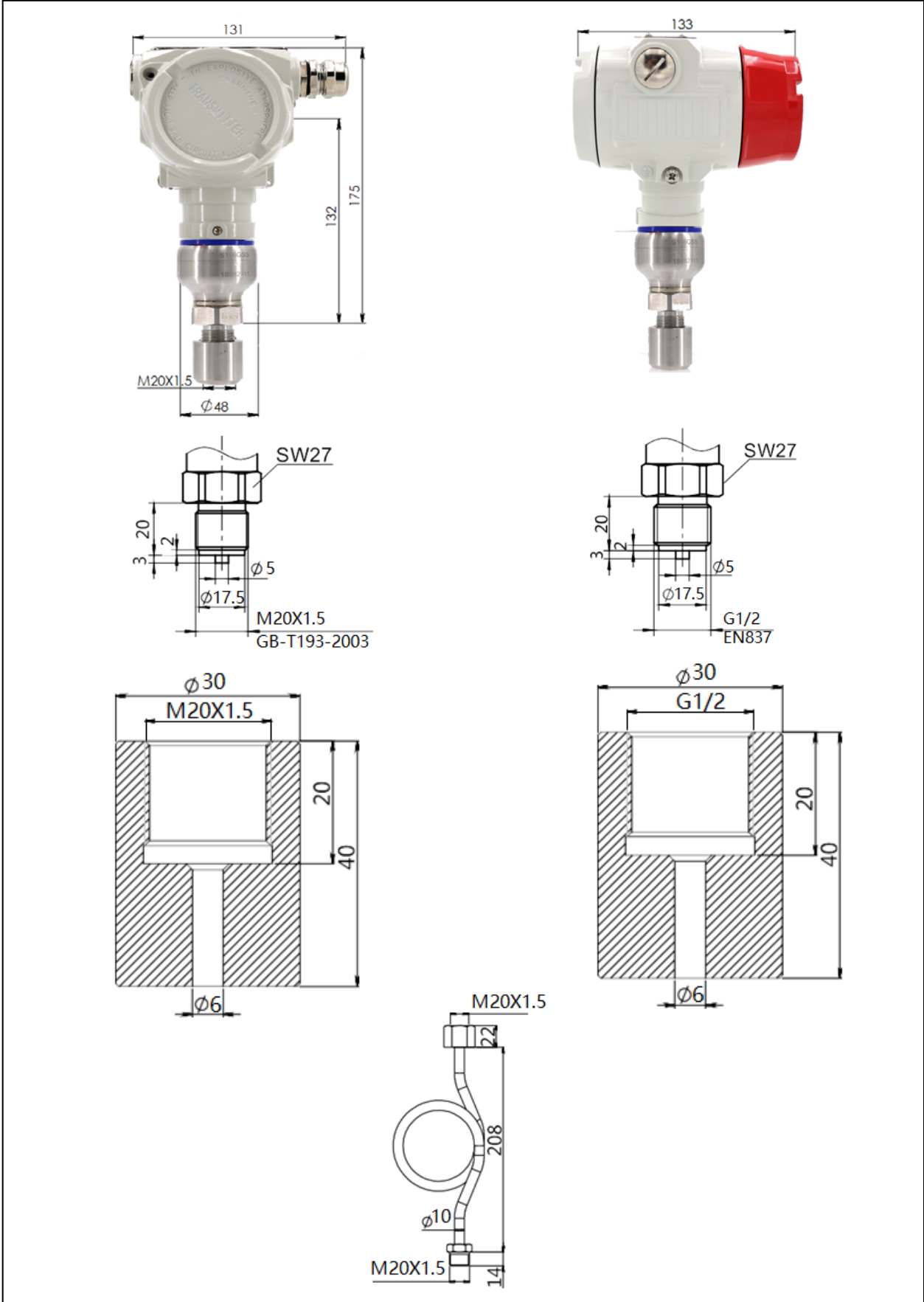
5、 EMC environment

NO.	Test items	Basic standards	Test conditions	Performance level
1	Radiated interference	GB/T 9254/CISPR22	30MHz-1000MHz	OK
2	Conducted interference (DC power port)	GB/T 9254/CISPR22	0.15MHz-30MHz	OK
3	Electrostatic discharge immunity test (ESD)	GB/T 17626.2/IEC61000-4-2	4kV(Contact), 8kV(Air)	B(Note2)
4	Immunity to radio frequency EM-fields	GB/T 17626.3/IEC61000-4-3	10V/m(80MHz-1GHz)	A(Note1)
5	Power frequency magnetic field Immunity test	GB/T 17626.8/IEC61000-4-8	30A/m	A(Note1)
6	Electrical fast transient / Burst Immunity Test	GB/T 17626.4/IEC61000-4-4	2kV(5/50ns, 100kHz)	B(Note2)
7	Surge immunity requirements	GB/T 17626.5/IEC61000-4-5	1kV(Line to line) 2kV(Line to ground) (1.2us/50us)	B(Note2)
8	Immunity to conducted disturbances induced by radio frequency fields	GB/T 17626.6/IEC61000-4-6	3V(150kHz-80MHz)	A(Note1)

(Note 1) Performance level A: The performance within the limits of normal technical specifications.

(Note 2) Performance level B: Temporary reduction or loss of functionality or performance, it can restore itself. The actual operating conditions, storage and data will not be changed.

6、Outline dimensional drawing (unit : mm)



FDP3000-I Input type

1、 Summary

FDP3000 Single crystal silicon intelligent transmitter ,
Original imported chip and packaging technology ,
The smart transmitter should be applied to the most
demanding industrial environment. The design of multiple
structures is sufficient to solve the problem of liquid level
measurement in industry.



2、 Main parameter

Type : liquid level

Wetted material : SUS304、 SUS316、 SUS316L

Diaphragm material : SUS304、 SUS316、 SUS316L、 ceramic

Shell material : cast aluminum

Measure range : pressure : 2kPa-10MPa

Output signal : 4 ~ 20mA+HART two wire system

Accuracy : $\pm 0.1\%$

Stability : $\pm 0.2\%$

Powder supply : 10.5-55VDC

Electric interface : M20*1.5 , 1/2" NPT

Surrounding temperature : $-40^{\circ}\text{C} \sim +85^{\circ}\text{C}$

IP grade : IP67

Explosion-proof grade : ExiaIICT4 , ExdIICT6

Weight : 2.5kg

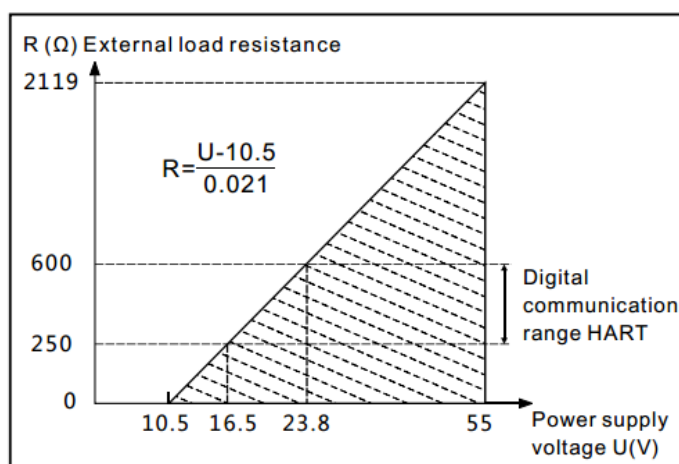
Key : 3pcs outside , 3pcs inside

3、 Range and scope

Nominal value	Smallest calibratable span	Lower range limit (LRL)	Upper range limit (URL)	Overload limit
20kPa	10kPa	0kPa	20kPa	600kPa
40kPa	20kPa	0kPa	40kPa	600kPa
100kPa	40kPa	0kPa	100kPa	1MPa
200kPa	100kPa	0kPa	200kPa	1.8MPa
400kPa	200kPa	0kPa	400kPa	2.5MPa
1MPa	400kPa	0kPa	1MPa	4MPa
2MPa	1MPa	0kPa	2MPa	4MPa

The unit of the measuring range above can be converted into mH₂O@4°C, mmH₂O@4°C, inH₂O@4°C , m, mm and mHg@0°C. Please provide the density of measuring medium if the unit is m, mm. Other measuring range is available according to requirements. (1MPa=102mH₂O@4°C)

4、 Power supply and load requirements



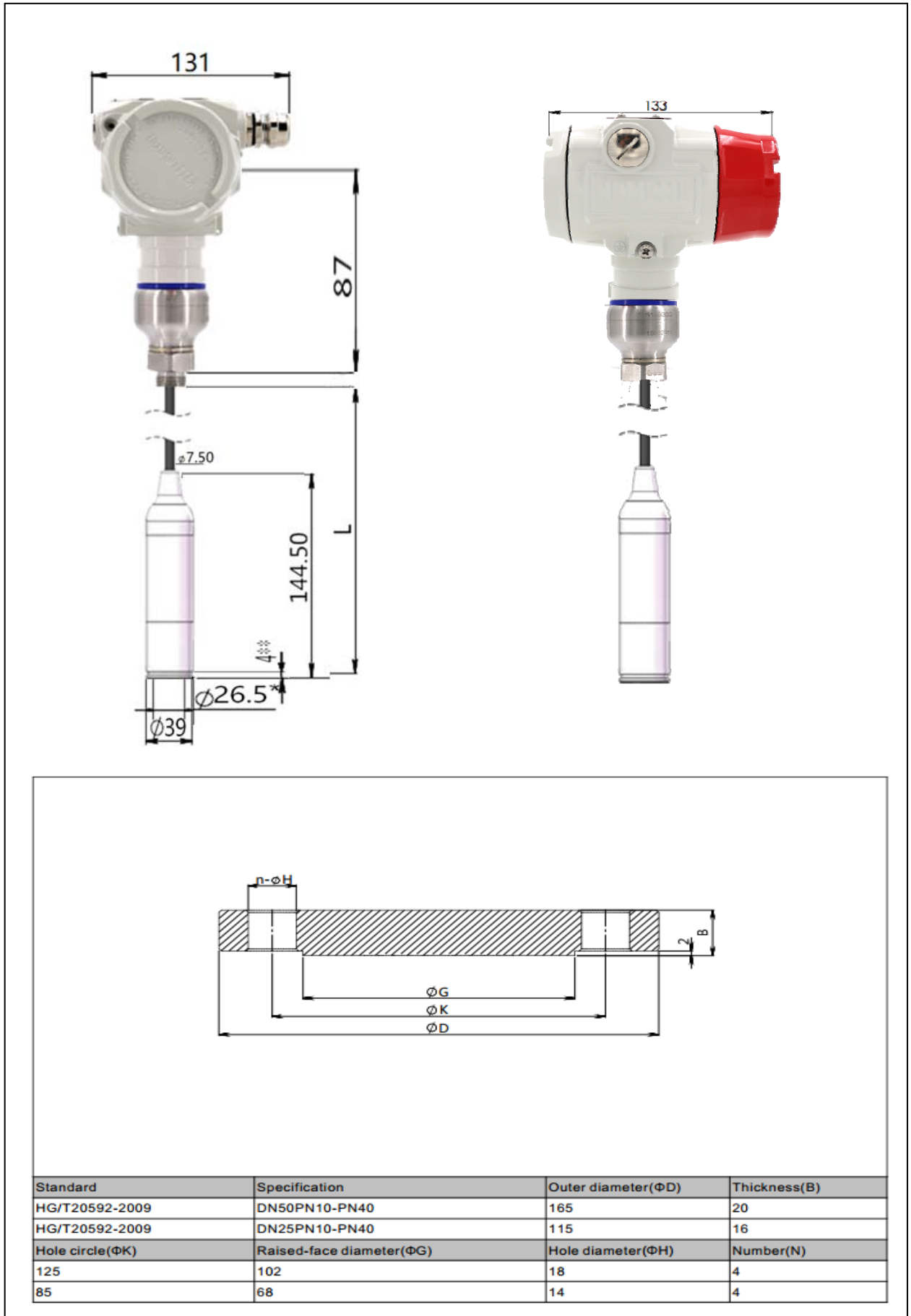
5、 EMC environment

NO.	Test items	Basic standards	Test conditions	Performance level
1	Radiated interference	GB/T 9254/CISPR22	30MHz-1000MHz	OK
2	Conducted interference (DC power port)	GB/T 9254/CISPR22	0.15MHz-30MHz	OK
3	Electrostatic discharge immunity test (ESD)	GB/T 17626.2/IEC61000-4-2	4kV(Contact) ,8kV(Air)	B(Note2)
4	Immunity to radio frequency EM-fields	GB/T 17626.3/IEC61000-4-3	10V/m(80MHz-1GHz)	A(Note1)
5	Power frequency magnetic field Immunity test	GB/T 17626.8/IEC61000-4-8	30A/m	A(Note1)
6	Electrical fast transient / Burst Immunity Test	GB/T 17626.4/IEC61000-4-4	2kV(5/50ns,100kHz)	B(Note2)
7	Surge immunity requirements	GB/T 17626.5/IEC61000-4-5	1kV(Line to line) 2kV(Line to ground) (1.2us/50us)	B(Note2)
8	Immunity to conducted disturbances induced by radio frequency fields	GB/T 17626.6/IEC61000-4-6	3V(150kHz-80MHz)	A(Note1)

(Note 1)Performance level A: The performance within the limits of normal technical specifications.

(Note 2)Performance level B: Temporary reduction or loss of functionality or performance, it can restore itself. The actual operating conditions, storage and data will not be changed.

6、Outline dimensional drawing (unit : mm)



FDP3000-H Sanitary type

1、 Summary

FDP3000 Single crystal silicon intelligent transmitter ,
Original imported chip and packaging technology ,
The smart transmitter can be used in the most
demanding industrial environment. , The design of
various structures is enough to measure pressure,
differential pressure and flow rate in industry.



2、 Main parameter

Pressure type : pressure、 differential pressure

Wetted material : SUS304、 SUS316、 SUS316L

Diaphragm material : SUS316L、 C-276、 Ta

Shell material : cast aluminum

Range : pressure : 2kPa-10MPa , differential pressure : 200 kPa -10MPa

Output signal : 4 ~ 20mA+HART two wire system

Accuracy : $\pm 0.1\%$, $\pm 0.05\%$

Stability : $\pm 0.2\%$

Powder supply : 10.5-55VDC

Electric interface : M20*1.5 (internal tooth) , 1/2" NPT (internal tooth)

Surrounding temperature : $-40^{\circ}\text{C} \sim +85^{\circ}\text{C}$

IP grade : IP67

Explosion-proof grade : ExiaIICT4 , ExdIICT6

Weight : 4kg

Key : 3pcs outside , 3pcs inside

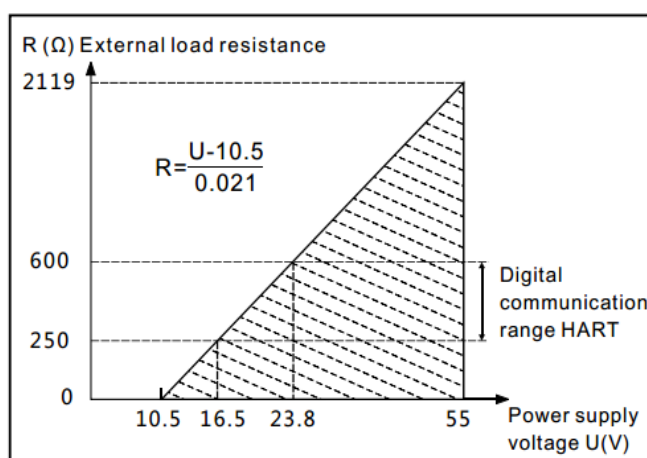
3、 Range and scope

Nominal value	Smallest calibratable span	Lower range limit (LRL)	Upper range limit (URL)	Overpressure limit *
40kPa	10kPa	-40kPa	40kPa	1MPa
250kPa	25kPa	-100kPa	250kPa	4MPa
1MPa	100kPa	-100kPa	1MPa	6MPa
3MPa	300kPa	-100kPa	3MPa	15MPa

The unit of the measuring range above can be converted into kg/cm²、 MPa and kPa. Provide other measuring range according to requirements. Adjust requirements: lower range value (LRV) and upper range value (URV) can be adjusted within the scope of the upper and lower range limit, minimum measuring range≤| URV - LRV |≤maximum measuring range.

*Overvoltage value: depending on the pressure value of the weakest parts

4、 Power supply and load requirements



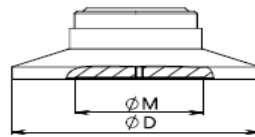
5、 EMC environment

NO.	Test items	Basic standards	Test conditions	Performance level
1	Radiated interference	GB/T 9254/CISPR22	30MHz-1000MHz	OK
2	Conducted interference (DC power port)	GB/T 9254/CISPR22	0.15MHz-30MHz	OK
3	Electrostatic discharge immunity test (ESD)	GB/T 17626.2/IEC61000-4-2	4kV(Contact), 8kV(Air)	B(Note2)
4	Immunity to radio frequency EM-fields	GB/T 17626.3/IEC61000-4-3	10V/m(80MHz-1GHz)	A(Note1)
5	Power frequency magnetic field Immunity test	GB/T 17626.8/IEC61000-4-8	30A/m	A(Note1)
6	Electrical fast transient / Burst Immunity Test	GB/T 17626.4/IEC61000-4-4	2kV(5/50ns, 100kHz)	B(Note2)
7	Surge immunity requirements	GB/T 17626.5/IEC61000-4-5	1kV(Line to line) 2kV(Line to ground) (1.2us/50us)	B(Note2)
8	Immunity to conducted disturbances induced by radio frequency fields	GB/T 17626.6/IEC61000-4-6	3V(150kHz-80MHz)	A(Note1)

(Note 1) Performance level A: The performance within the limits of normal technical specifications.

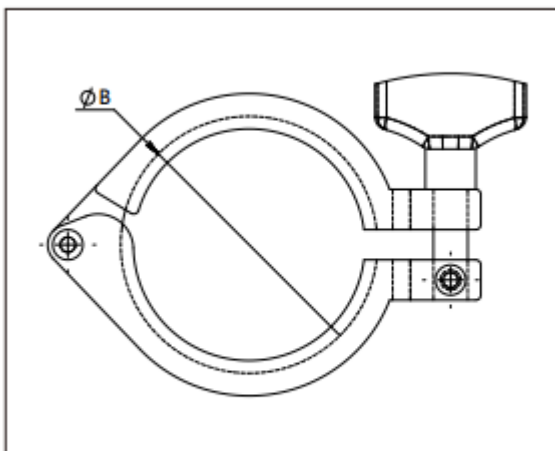
(Note 2) Performance level B: Temporary reduction or loss of functionality or performance, it can restore itself. The actual operating conditions, storage and data will not be changed.

6、 Outline dimensional drawing (unit : mm)



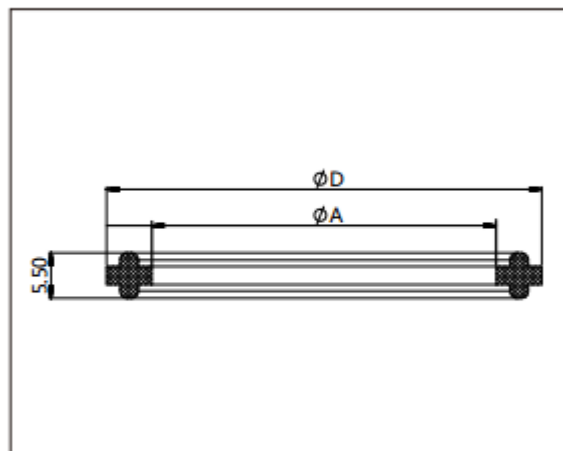
Standard	Specification	Size(ΦD)	Diaphragm size(ΦM)
Tri-Clamp	1-1/2"	50.5	31
Tri-Clamp	2"	64	42

Clamp(G1-G2)(unit: mm)



Standard	Specification	Dimension(ΦB)
Tri-Clamp	1-1/2"	53.9
Tri-Clamp	2"	67.4

Sealing gasket (M1-M2) (unit: mm)



Standard	Specification	Size (ΦD)	Size(ΦA)
Tri-Clamp	1-1/2"	50.5	35
Tri-Clamp	2"	64	47.8

FDP3000-V Diaphragm type

1、 Summary

FDP3000 single crystal silicon intelligent transmitter , Original imported chip and packaging technology , The smart transmitter can cope with the most demanding industrial environment , A variety of structural designs are sufficient to solve pressure measurements in industry.



2、 Main parameter

Type : gauge pressure

Wetted material : SUS304、 SUS316、 SUS316L

Diaphragm material : SUS316L、 C-276、 Ta

Shell material : cast aluminum

Range : pressure : 2kPa-10MPa

Output signal : 4 ~ 20mA+HART two wire system

Accuracy : $\pm 0.1\%$, $\pm 0.05\%$

Stability : $\pm 0.2\%$

Powder supply : 10.5-55VDC

Electric interface : M20*1.5 (internal tooth) , 1/2" NPT (internal tooth)

Surrounding temperature : $-40^{\circ}\text{C} \sim +85^{\circ}\text{C}$

IP grade : IP67

Explosion-proof grade : ExiaIICT4 , ExdIICT6

Weight : 4kg

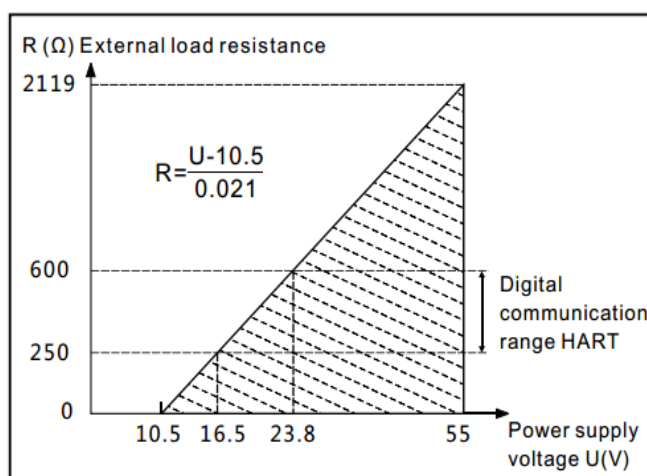
Key : 3pcs outside , 3pcs inside

3、 Range and scope

Nominal value	Smallest calibratable span	Lower range limit(LRL)	Upper range limit(URL)	Overload limit
40kPa	2kPa	-40kPa	40kPa	1MPa
250kPa	12.5kPa	-100kPa	250kPa	4MPa
1MPa	50kPa	-100kPa	1MPa	6MPa

Above measurement range can be replaced by kg/cm², MPa and kPa units .Which can provide other measurement range according to the requirements. Adjust requirements: lower range value (LRV) and upper range value (URV) can be adjusted within the scope of the upper and lower range limit, smallest calibratable spans $\leq |URV-LRV| \leq$ upper range limit

4、 Power supply and load requirements



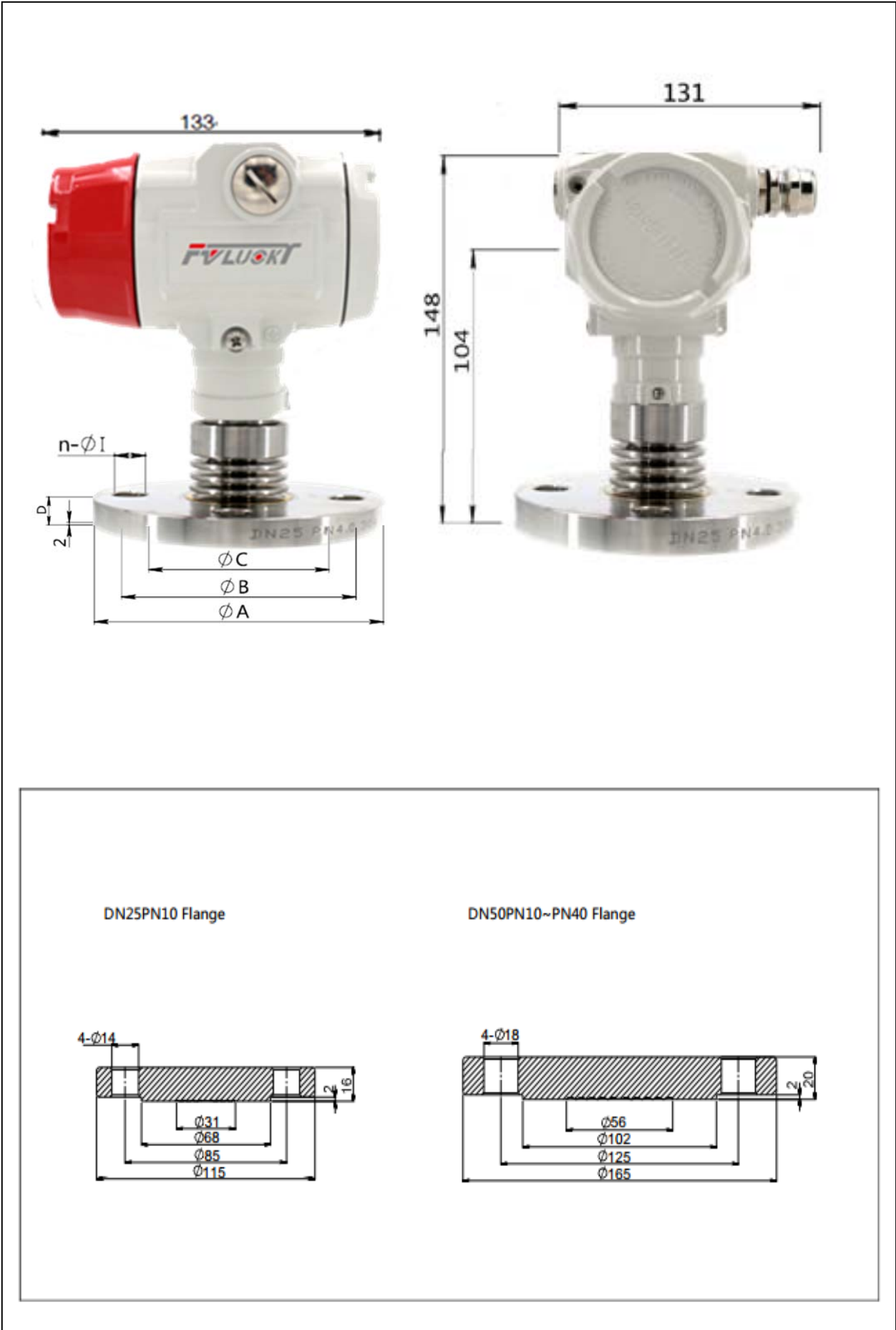
5、 EMC environment

NO.	Test items	Basic standards	Test conditions	Performance level
1	Radiated interference	GB/T 9254/CISPR22	30MHz-1000MHz	OK
2	Conducted interference (DC power port)	GB/T 9254/CISPR22	0.15MHz-30MHz	OK
3	Electrostatic discharge immunity test (ESD)	GB/T 17626.2/IEC61000-4-2	4kV(Contact), 8kV(Air)	B(Note2)
4	Immunity to radio frequency EM-fields	GB/T 17626.3/IEC61000-4-3	10V/m(80MHz-1GHz)	A(Note1)
5	Power frequency magnetic field Immunity test	GB/T 17626.8/IEC61000-4-8	30A/m	A(Note1)
6	Electrical fast transient / Burst Immunity Test	GB/T 17626.4/IEC61000-4-4	2kV(5/50ns, 100kHz)	B(Note2)
7	Surge immunity requirements	GB/T 17626.5/IEC61000-4-5	1kV(Line to line) 2kV(Line to ground) (1.2us/50us)	B(Note2)
8	Immunity to conducted disturbances induced by radio frequency fields	GB/T 17626.6/IEC61000-4-6	3V(150kHz-80MHz)	A(Note1)

(Note 1) Performance level A: The performance within the limits of normal technical specifications.

(Note 2) Performance level B: Temporary reduction or loss of functionality or performance, it can restore itself. The actual operating conditions, storage and data will not be changed.

6、Outline dimensional drawing (unit : mm)



FDP3000-F Single Flange Type

1、 Summary

FDP3000 single crystal silicon intelligent transmitter , using advanced silicon chip technology , Making smart transmitters cope with the most demand-ing industrial environment, the design of various structures is enough to measure pressure, differential pressure and liquid level in industrial fields.



2、 Main parameter

Type : pressure, differential pressure, liquid level

Wetted material : SUS304、 SUS316、 SUS316L

Diaphragm material : SUS316L、 C-276、 Ta

Shell material : cast aluminum

Range : pressure : 2kPa-10MPa , differential pressure : 200 kPa -10MPa

Output signal : 4 ~ 20mA+HART two wire system

Accuracy : $\pm 0.1\%$, $\pm 0.05\%$

Stability : $\pm 0.2\%$

Powder supply : 10.5-55VDC

Electric interface : M20*1.5 , 1/2" NPT

Surrounding temperature : $-40^{\circ}\text{C} \sim +85^{\circ}\text{C}$

IP grade : IP67

Explosion-proof grade : ExiaIICT4 , ExdIICT6

Weight : 6kg

Key : 3pcs outside , 3pcs inside

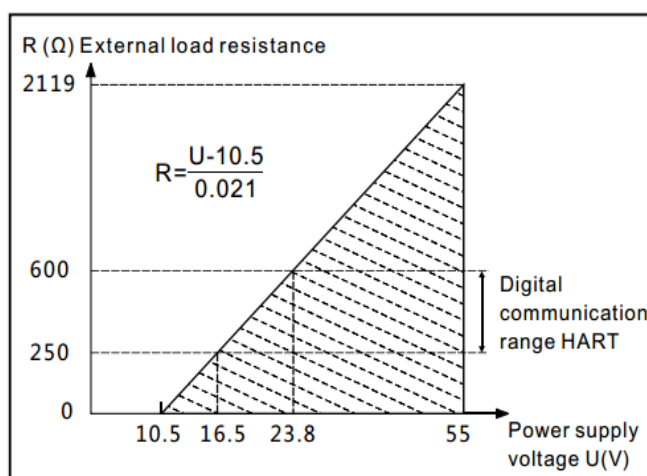
3、 Range and scope

Nominal value	Smallest calibratable span	Lower range limit (LRL)	Upper range limit (URL)	Static pressure limit*	High pressure side overload limit*	Low pressure side overload limit*
40kPa	4kPa	-40kPa	40kPa	10MPa	10MPa	10MPa
250kPa	25kPa	-250kPa	250kPa	10MPa	10MPa	500kPa
1MPa	100kPa	-500kPa	1MPa	10MPa	10MPa	500kPa

Adjust requirements: lower range value (LRV) and upper range value (URV) can be adjusted within the scope of the upper and lower range limit, when $|URV| \geq |LRV|$, needs $|URV| \geq$ smallest calibratable span; when $|URV| \leq |LRV|$, needs $|LRV| \geq$ smallest calibratable span

*Limit value of overpressure: depends on the pressure value of the parts with lowest pressure capacity

4、 Power supply and load requirements



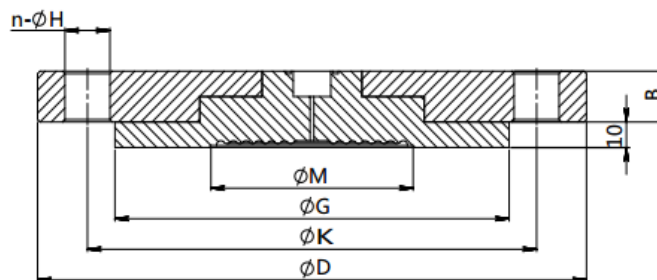
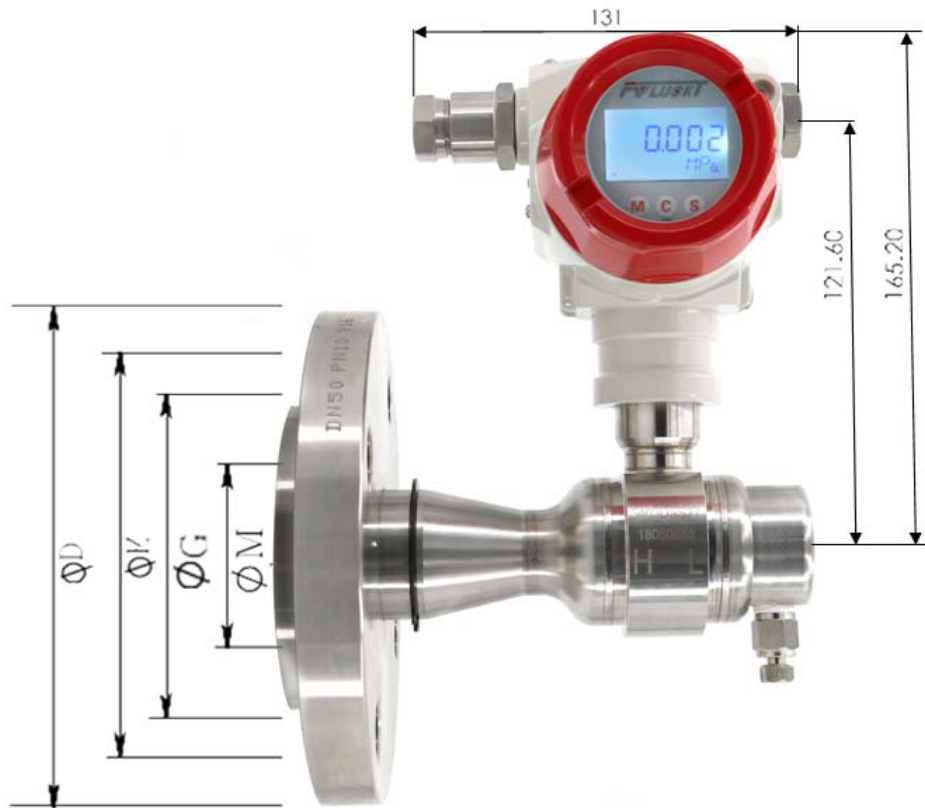
5、 EMC environment

NO.	Test items	Basic standards	Test conditions	Performance level
1	Radiated interference	GB/T 9254/CISPR22	30MHz-1000MHz	OK
2	Conducted interference (DC power port)	GB/T 9254/CISPR22	0.15MHz-30MHz	OK
3	Electrostatic discharge immunity test (ESD)	GB/T 17626.2/IEC61000-4-2	4kV(Contact), 8kV(Air)	B(Note2)
4	Immunity to radio frequency EM-fields	GB/T 17626.3/IEC61000-4-3	10V/m(80MHz-1GHz)	A(Note1)
5	Power frequency magnetic field Immunity test	GB/T 17626.8/IEC61000-4-8	30A/m	A(Note1)
6	Electrical fast transient / Burst Immunity Test	GB/T 17626.4/IEC61000-4-4	2kV(5/50ns, 100kHz)	B(Note2)
7	Surge immunity requirements	GB/T 17626.5/IEC61000-4-5	1kV(Line to line) 2kV(Line to ground) (1.2us/50us)	B(Note2)
8	Immunity to conducted disturbances induced by radio frequency fields	GB/T 17626.6/IEC61000-4-6	3V(150kHz-80MHz)	A(Note1)

(Note 1) Performance level A: The performance within the limits of normal technical specifications.

(Note 2) Performance level B: Temporary reduction or loss of functionality or performance, it can restore itself. The actual operating conditions, storage and data will not be changed.

6、Outline dimensional drawing (unit : mm)



Standard	Specification	Outer diameter(ΦD)	Thickness(B)	Hole circumference(ΦK)
HG/T20592-2009	DN50PN10	165	19	125
HG/T20592-2009	DN80PN10	200	20	160
HG/T20592-2009	DN100PN10	200	20	160
Raised face diameter(ΦG)	Hole diameter(ΦH)	Number(n)	Corrugation size(ΦM)	
102	18	4	56	
138	18	8	71	
158	18	8	71	

FDP3000-Y Double flange type

1、 Summary

FDP3000 single crystal silicon smart Transmitter, imported chip and packaging technology, the smart transmitter can cope with the most demanding industrial environment. A variety of structural design is sufficient to solve industrial pressure, differential pressure, liquid level and other measurements.



2、 Main parameters

Type : pressure, differential pressure, liquid level

Liquid material : SUS304、 SUS316、 SUS316L

Diaphragm material : SUS316L、 C-276、 Ta

Shell material : cast aluminum

Measure range : pressure : 2kPa-10MPa , differential pressure : 200 kPa -10MPa

Output signal : 4 ~ 20mA+HART two wire system

Accuracy : $\pm 0.1\%$, $\pm 0.05\%$

Stability : $\pm 0.2\%$

Powder supply : 10.5-55VDC

Electric interface : M20*1.5 (internal tooth) , 1/2" NPT (internal tooth)

Surrounding temperature : $-40^{\circ}\text{C} \sim +85^{\circ}\text{C}$

IP grade : IP67

Explosion-proof grade : ExiaIICT4 , ExdIICT6

Weight : 10kg

Key : 3pcs outside , 3pcs inside

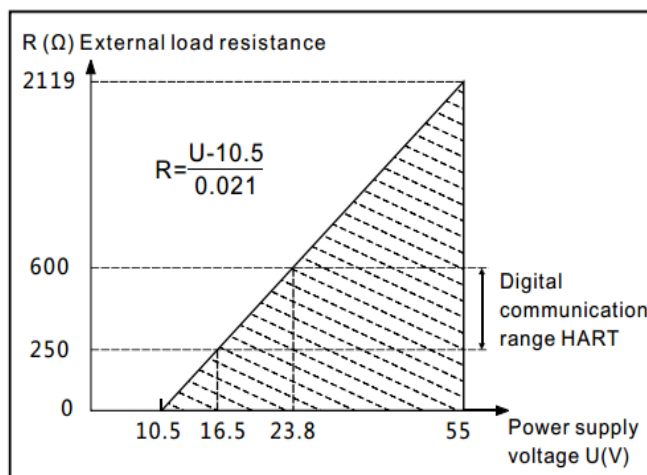
3、 Range and scope

Nominal value	Smallest calibratable span	Lower range limit (LRL)	Upper range limit (URL)	Static pressure limit*	High pressure side overload limit*	Low pressure side overload limit*
40kPa	4kPa	-40kPa	40kPa	10MPa	10MPa	10MPa
250kPa	25kPa	-250kPa	250kPa	10MPa	10MPa	500kPa
1MPa	100kPa	-500kPa	1MPa	10MPa	10MPa	500kPa

Adjust requirements: lower range value (LRV) and upper range value (URV) can be adjusted within the scope of the upper and lower range limit, when $|URV| \geq |LRV|$, needs $|URV| \geq$ smallest calibratable span; when $|URV| \leq |LRV|$, needs $|LRV| \geq$ smallest calibratable span

*Limit value of overpressure: depends on the pressure value of the parts with lowest pressure capacity

4、 Power supply and load requirements



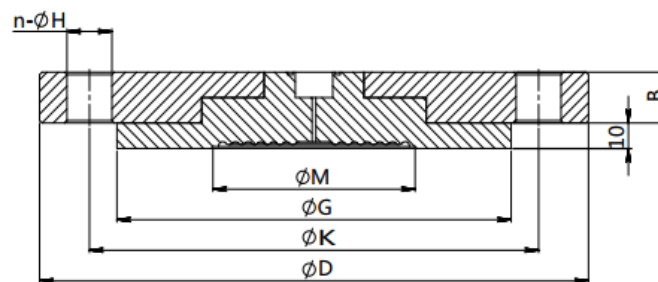
5、 EMC environment

NO.	Test items	Basic standards	Test conditions	Performance level
1	Radiated interference	GB/T 9254/CISPR22	30MHz-1000MHz	OK
2	Conducted interference (DC power port)	GB/T 9254/CISPR22	0.15MHz-30MHz	OK
3	Electrostatic discharge immunity test (ESD)	GB/T 17626.2/IEC61000-4-2	4kV(Contact), 8kV(Air)	B(Note2)
4	Immunity to radio frequency EM-fields	GB/T 17626.3/IEC61000-4-3	10V/m(80MHz-1GHz)	A(Note1)
5	Power frequency magnetic field Immunity test	GB/T 17626.8/IEC61000-4-8	30A/m	A(Note1)
6	Electrical fast transient / Burst Immunity Test	GB/T 17626.4/IEC61000-4-4	2kV(5/50ns, 100kHz)	B(Note2)
7	Surge immunity requirements	GB/T 17626.5/IEC61000-4-5	1kV(Line to line) 2kV(Line to ground) (1.2us/50us)	B(Note2)
8	Immunity to conducted disturbances induced by radio frequency fields	GB/T 17626.6/IEC61000-4-6	3V(150kHz-80MHz)	A(Note1)

(Note 1) Performance level A: The performance within the limits of normal technical specifications.

(Note 2) Performance level B: Temporary reduction or loss of functionality or performance, it can restore itself. The actual operating conditions, storage and data will not be changed.

6、 Outline dimensional drawing (unit : mm)

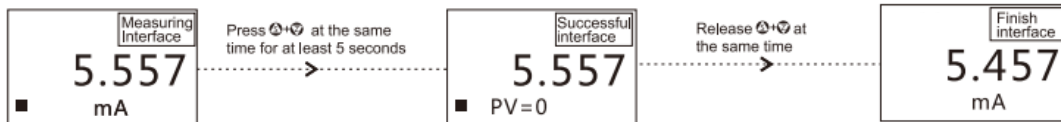


Standard	Specification	Outer diameter(ΦD)	Thickness(B)	Hole circumference(ΦK)
HG/T20592-2009	DN50PN10	165	19	125
HG/T20592-2009	DN80PN10	200	20	160
HG/T20592-2009	DN100PN10	200	20	160
Raised face diameter(ΦG)	Hole diameter(ΦH)	Number(n)	Corrugation size(ΦM)	
102	18	4	56	
138	18	8	71	
158	18	8	71	

Simple Operation Manual

For example, the pressure/differential pressure transmitter factory settings parameters: measurement range - 10-100 kPa, process display unit mA, placed in the atmosphere operation.

Set PV=0



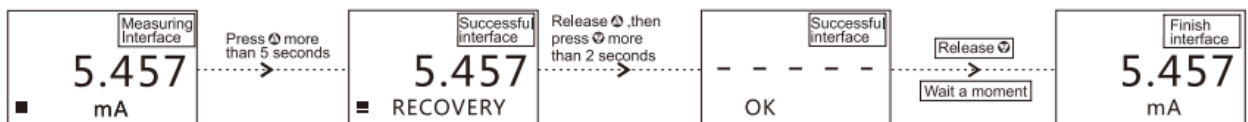
4mA re-range with pressure



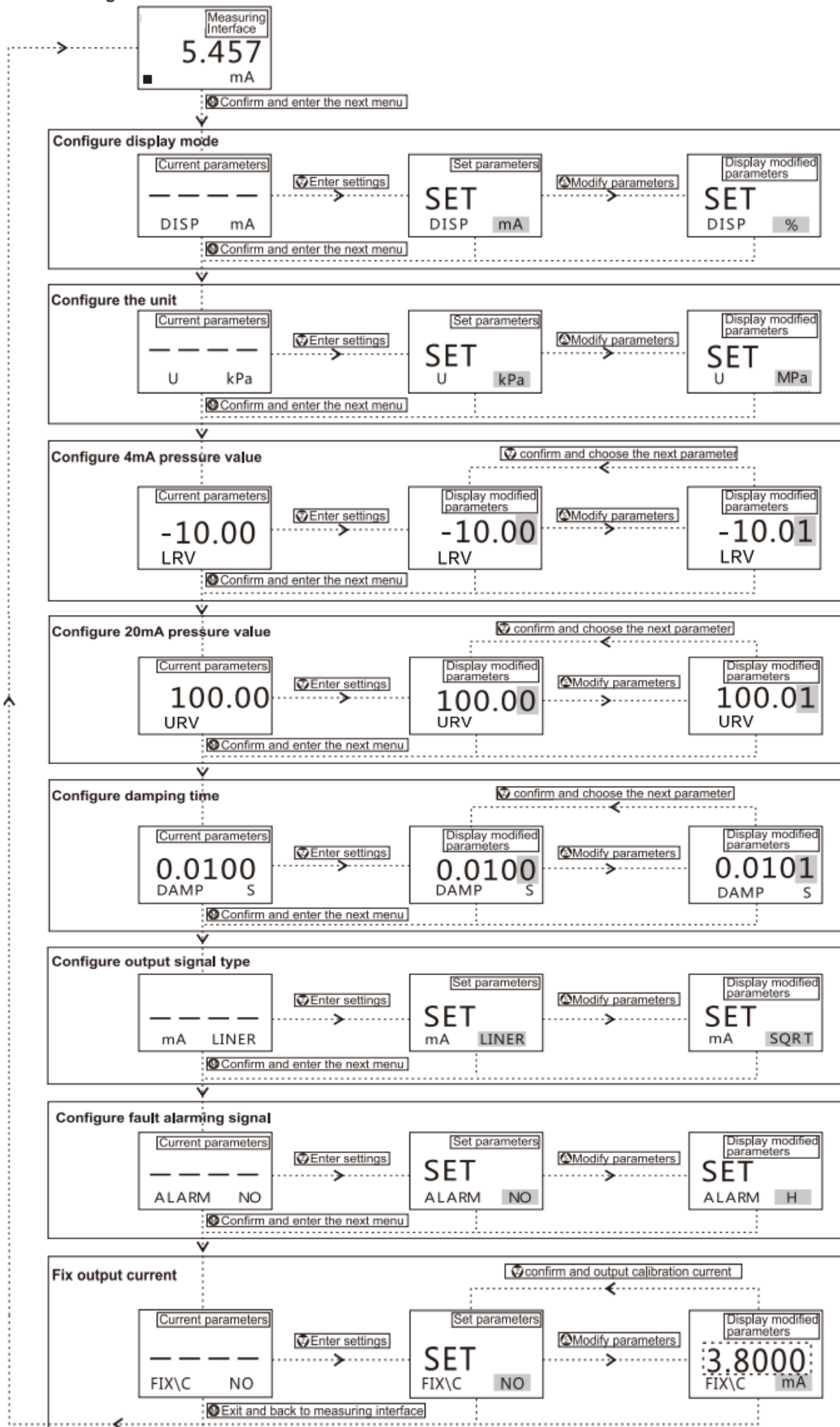
20mA re-range with pressure



Restore factory settings



Measuring Interface



Selection code

Sensor code					Transmitter code				Optiona	Content description	
FDP3000-	X	X	-X	X	X	-X	X	-X	X	-X	-Measure range(MPa)
Type	B									Model type	
	T									Thread type	
	I									Input type	
	H									Sanitary type	
	V									diaphragm type	
	F									Single flange	
	Y									Double flange	
Ex type	--									Standard	
	Ex									Ex ia (d) II CT4-6	
Diaphragm material	-V									SUS 316L	
	-C									Harris alloy C	
	-T									tantalum	
Auxiliary parts material	N									SUS 304	
	L									SUS 316	
Temperature scope	1									0~80°C	
	2									-10~180°C	
	3									-45~205°C	
Current signal output	-1									4~20MA+24V DC (2 wire)	
	-2									4~20MA +24V DC (2 wire) +HART	
shell+ display method	1									Cast aluminum+ display	
	2									Cast aluminum+ no display	
	3									SUS 304+display	
	4									SUS 304+ no display	
Electric interface	-M									M20*1.5	
	-N									1/2" NPT	
Precision grade	A									0.1	
	B									0.05	
Accessories										flange、capillary (__meter)	

Illustration

Model : FT3000-B-VN1-11-MA

Type of intelligent transmitter : model type , Diaphragm material : 316L stainless steel , Auxiliary parts material : 304 stainless steel ,temperature scope :0-80°C ,powder supply :24 V DC ,output signal :4~20MA ,Cast aluminum housing with LCD display , electric interface : M20*1.5 , accuracy : 0.1.

FT3000-V-VN1-21-MA

Intelligent transmitter type : diaphragm type , Diaphragm material : 316L stainless steel , auxiliary parts material : 304 stainless steel , temperature scope : 0-80°C , powder supply : 24 V DC , output signal : 4~20MA , Communication protocol : HART , Cast aluminum housing with LCD display , electric interface : M20*1.5 , accuracy : 0.1.



FuYi Intelligent Instrument (Shanghai) Co., Ltd.

Tel : 021-5227 8523 Fax : 021-5227 8525

E-mail: Sales@fvlucky.com

<http://www.fvlucky.com>