

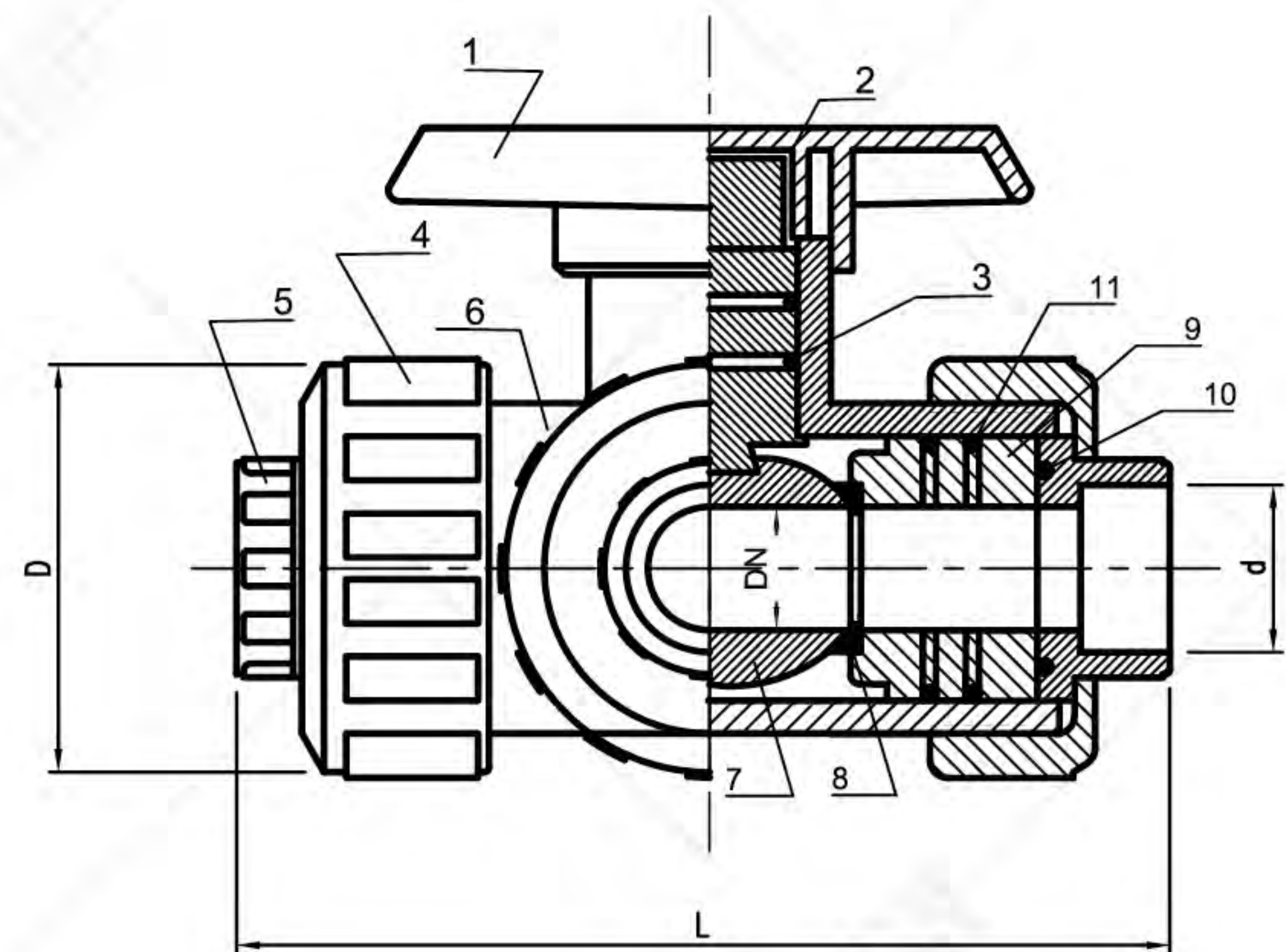
3-Way True Union Ball Valves

■ Features

- > 3/8" through 2"
- > L-Port or T-Port Configurations
- > True Union Ends
- > PN10 working pressure
- > Temperature rating varies from with o-ring material
- > Electric and Pneumatic Actuators
- > Cost-efficient Actuators
- > Ideal for Use in Chemical, Industrial, Irrigation, or Pool and Spa NSF Listed for Potable Water

■ Material List

NO.	PARTS NAME	MATERIAL	QTY
1	HANDLE	ABS	1
2	STEM	UPVC	1
3	SEALING	EPDM	2
4	NUT	UPVC	2
5	JOINT	UPVC	2
6	BODY	UPVC	1
7	BALL	UPVC	1
8	SEAL	PTFE	2
9	PLUG	UPVC	2
10	SEAL	EPDM	2
11	SEAL	EPDM	2



■ Dimensional Data

Size		Φd	ΦD	L
DN	In.			
10	3/8	16	54	118
15	1/2	20	54	118
20	3/4	25	65	145
25	1	32	73	160
32	1 1/4	40	86	188.5
40	1 1/2	50	98	219
50	2	63	122	266.5

Valve Operator

Lever operation

- Pneumatic or electric actuators available.
- Limit switches, positioners, solenoid valves and many other customer options available.
- Contact FLOWX for appropriate choice and sizing of valve actuators.

ALL VALVES ARE 100% ELECTRONICALLY TESTED AT 80 PSI IN BOTH THE OPEN AND CLOSED POSITIONS

FLOWX VALVE • WORLD-CLASS VALVE SUPPLIERS • T (86) 021 3497 7873 • F (86) 021 5415 0271 • Email: sales@flowxvalve.com

3-Way True Union Ball Valves

Features of Actuators

- > Heavy duty Rack and pinion design
- > Spring return or double acting
- > Open and closed adjustment stops
- > True NAMUR accessory and ISO mounting
- > Visual indicator, Top Mount indicator
- > High temperature and corrosion resistant models available
- > Solenoids, limit switches, positioners and other accessories are available

- > Fully adjustable limit switches allow for fine control of on-off positions
- > All electric actuators are available for modulating (4-20mA control) or on-off service
- > Motor has thermal overload protection
- > Running Time: 9s/13s/15s/30s/50s/100s/150s
- > Heavy-duty gear train motor with permanent lubrication
- > ISO bottom mounting for direct mount actuation with true ISO valves on most models



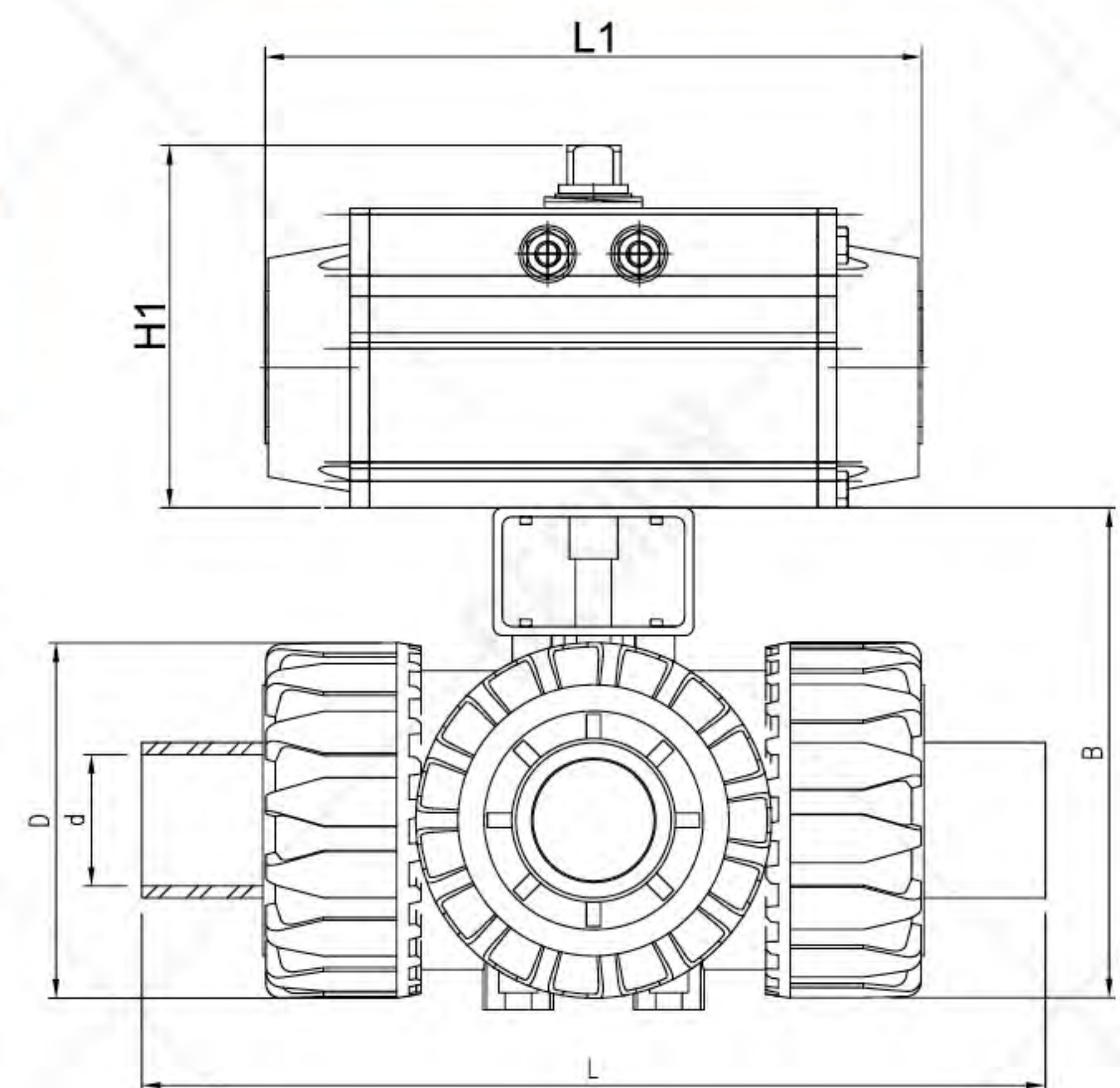
Pneumatically Operated



Electrically Operated

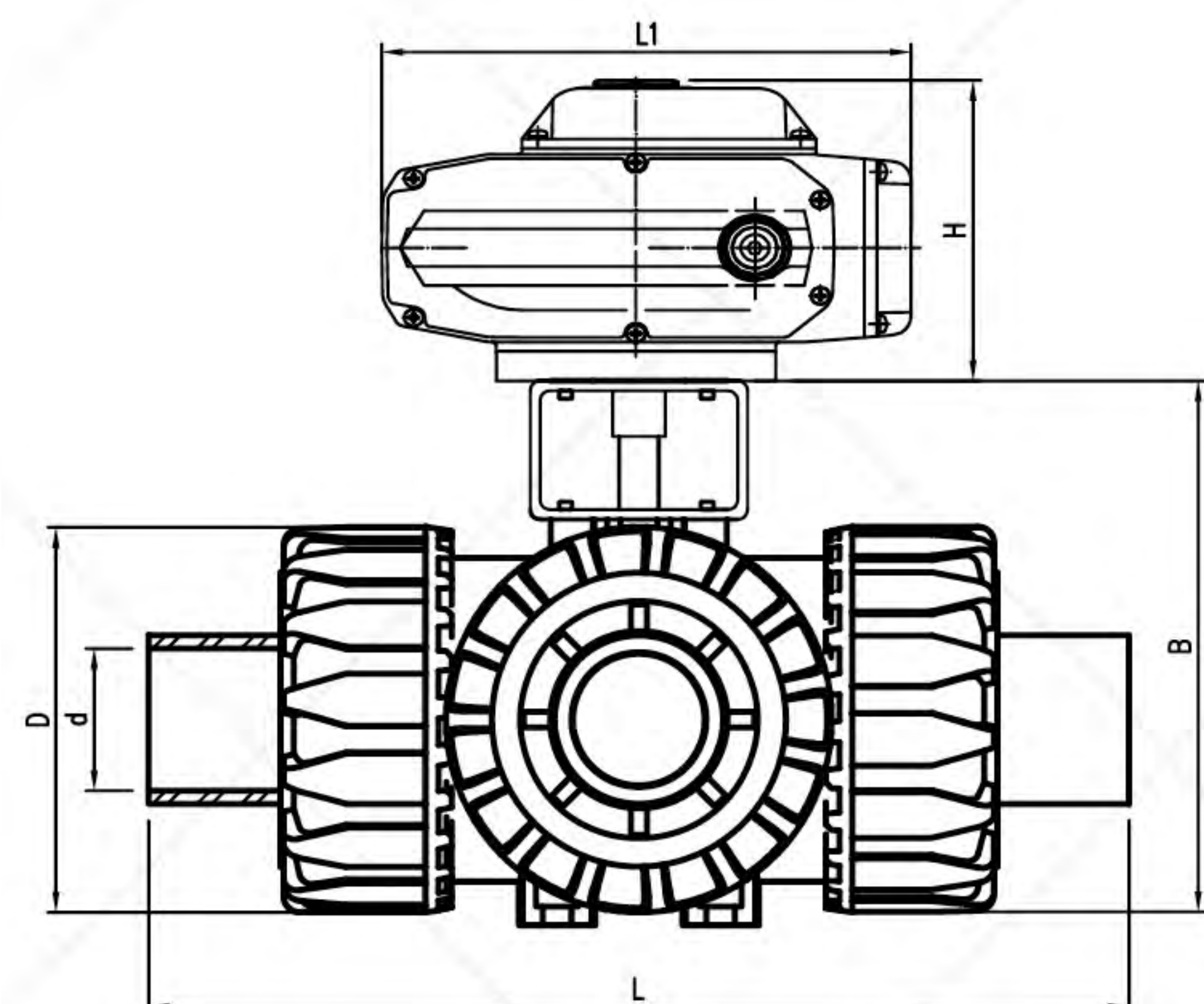
Dimensional Data

Size		Φd	ΦD	L	B	SR		DA	
DN	In.					L1	H1	L1	H1
10	3/8	16	54	118	87	162	100.5	139.5	89.5
15	1/2	20	54	118	87	162	100.5	139.5	89.5
20	3/4	25	65	145	103.5	207	117	162	100.5
25	1	32	73	160	113	207	117	162	100.5
32	1 1/4	40	86	188.5	137	207	117	162	100.5
40	1 1/2	50	98	219	149	237.5	128.5	207	117
50	2	63	122	266.5	176	271.5	141.5	237.5	128.5



Dimensional Data

Size		Φd	ΦD	L	B	L1	H1
DN	In.						
10	3/8	16	54	118	87	165	137.5
15	1/2	20	54	118	87	165	137.5
20	3/4	25	65	145	103.5	165	137.5
25	1	32	73	160	113	165	137.5
32	1 1/4	40	86	188.5	137	165	137.5
40	1 1/2	50	98	219	149	211.5	168.5
50	2	63	122	266.5	176	211.5	168.5



ALL VALVES ARE 100% ELECTRONICALLY TESTED AT 80 PSI IN BOTH THE OPEN AND CLOSED POSITIONS