

## 3-Piece Thread Ball Valves

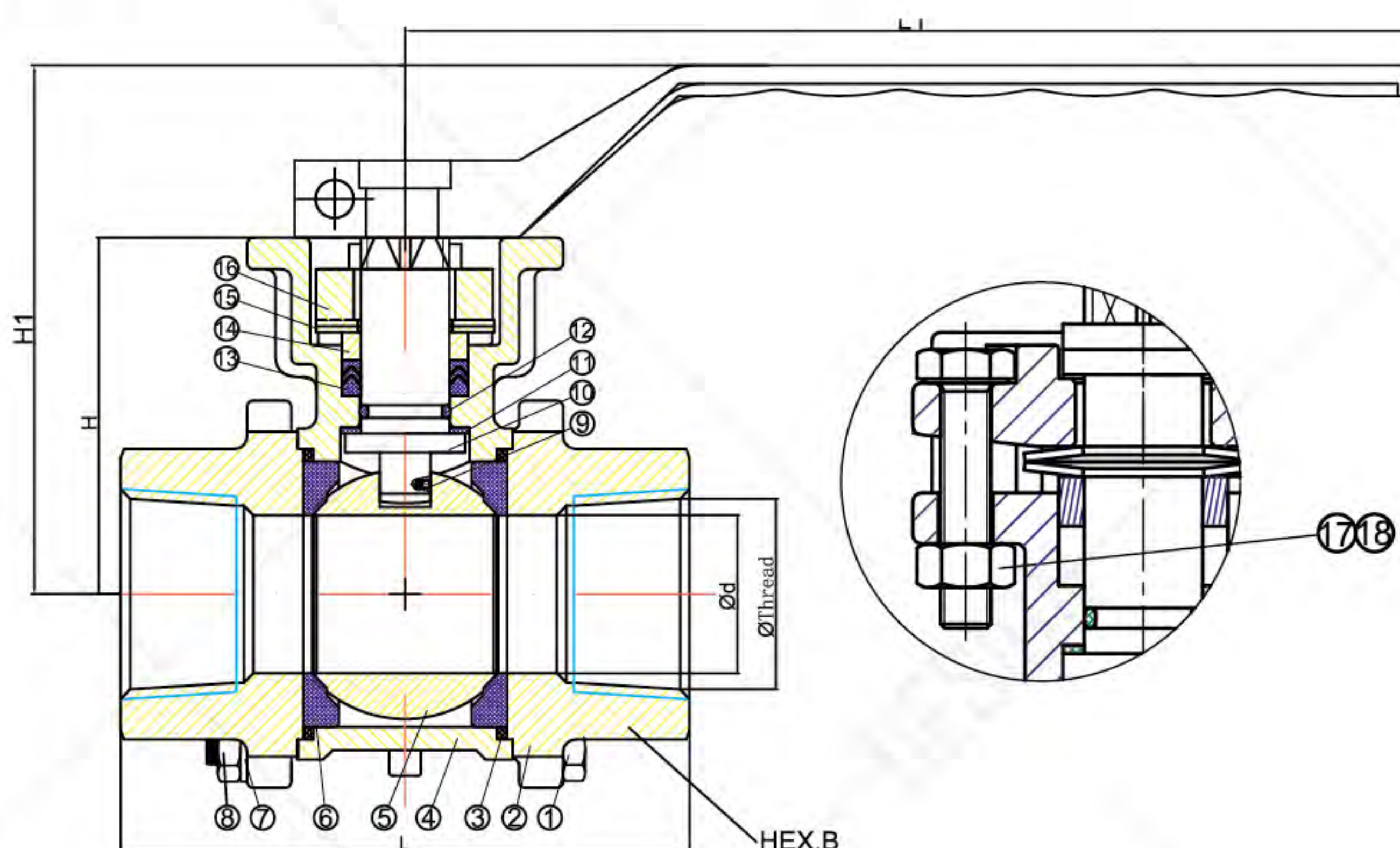
### Features

- > Each valves comply with ISO 5211
- > Full port stainless steel 3-piece ball valve  
1/4" through 4" NPT
- > Antistatic device
- > Blowout-proof stem
- > Pressure rating 1000 wog
- > Temperature rating varies from with o-ring material
- > Threaded End Connections meet ASME B1.20.1  
NPT, DIN 2999/ 259, ISO 228/1, JIS B 0203
- > Inspection and testing to current API598, EN1226



### Material List

NO.	PARTS NAME	MATERIAL	QTY
1	BOLT	A 193 B8	4
2	BONNET	CF8/CF8M	1
3	BODY GASKET	TFM1600	1
4	BODY	CF8/CF8M	1
5	BALL	SS304/SS316	1
6	SEAT	TFM1600	1
7	SPRING WASHER	SS	1
8	NUT	A 194 8	4
9	ANTISTATIC DEVICE	SS	1
10	STEM	SS316	1
11	THRUST WASHER	RTFE	1
12	O-RING	VITON	1
13	PACKING	TFM1600	3
14	PACKING RING	SS	1
15	DISC SPRING	SS	2
16	PACKING GLAND	SS	1
17	BOLT	A 193 B8	2
18	NUT	A 193 8	2



### Dimentional Data

Size		d	L	H	HEX.B	L1	H1	THREAD
DN	In.							
15	1/2	15	89	57	28	165	85	NPT BSP PT DIN etc
20	3/4	20	89	57	34.5	165	85	
25	1	25	90	56.4	46	196	86.4	
32	1 1/4	32	110	70.3	52	196	100.3	
40	1 1/2	38	120	79	58.5	232	116.5	
50	2	50	140	86.7	71.5	232	124.2	
65	2 1/2	64	180	114	86.5	300	184	
80	3	72	205	121	101	300	191	
100	4	100	240	140	128	400	232	

#### Valve Operator

Lever operation

- Pneumatic or electric actuators available.
- Limit switches, positioners, solenoid valves and many other customer options available.
- Contact FLOWX for appropriate choice and sizing of valve actuators.

ALL VALVES ARE 100% ELECTRONICALLY TESTED AT 80 PSI IN BOTH THE OPEN AND CLOSED POSITIONS

FLOWX VALVE • WORLD-CLASS VALVE SUPPLIERS • T (86) 021 3497 7873 • F (86) 021 5415 0271 • Email:sales@flowxvalve.com

## 3-Piece Thread Ball Valves

### ■ Features of Actuators

- > Heavy duty Rack and pinion design
- > Spring return or double acting
- > Open and closed adjustment stops
- > True NAMUR accessory and ISO mounting
- > Visual indicator, Top Mount indicator
- > High temperature and corrosion resistant models available
- > Solenoids, limit switches, positioners and other accessories are available
  
- > Fully adjustable limit switches allow for fine control of on-off positions
- > All electric actuators are available for modulating (4-20mA control) or on-off service
- > Motor has thermal overload protection
- > Running Time: 9s/13s/15s/30s/50s/100s/150s
- > Heavy-duty gear train motor with permanent lubrication
- > ISO bottom mounting for direct mount actuation with true ISO valves on most models



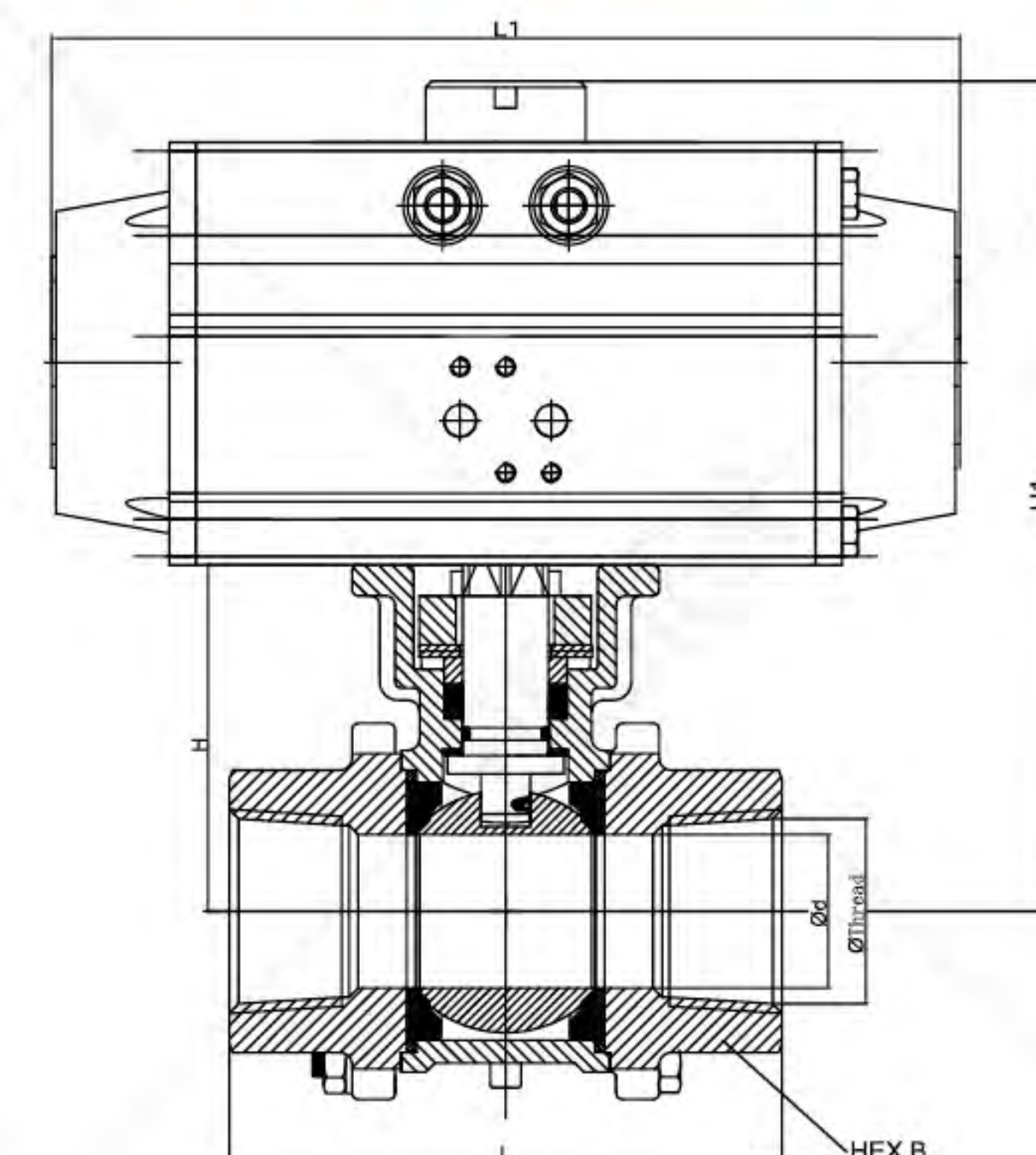
*Pneumatically Operated*



*Electrically Operated*

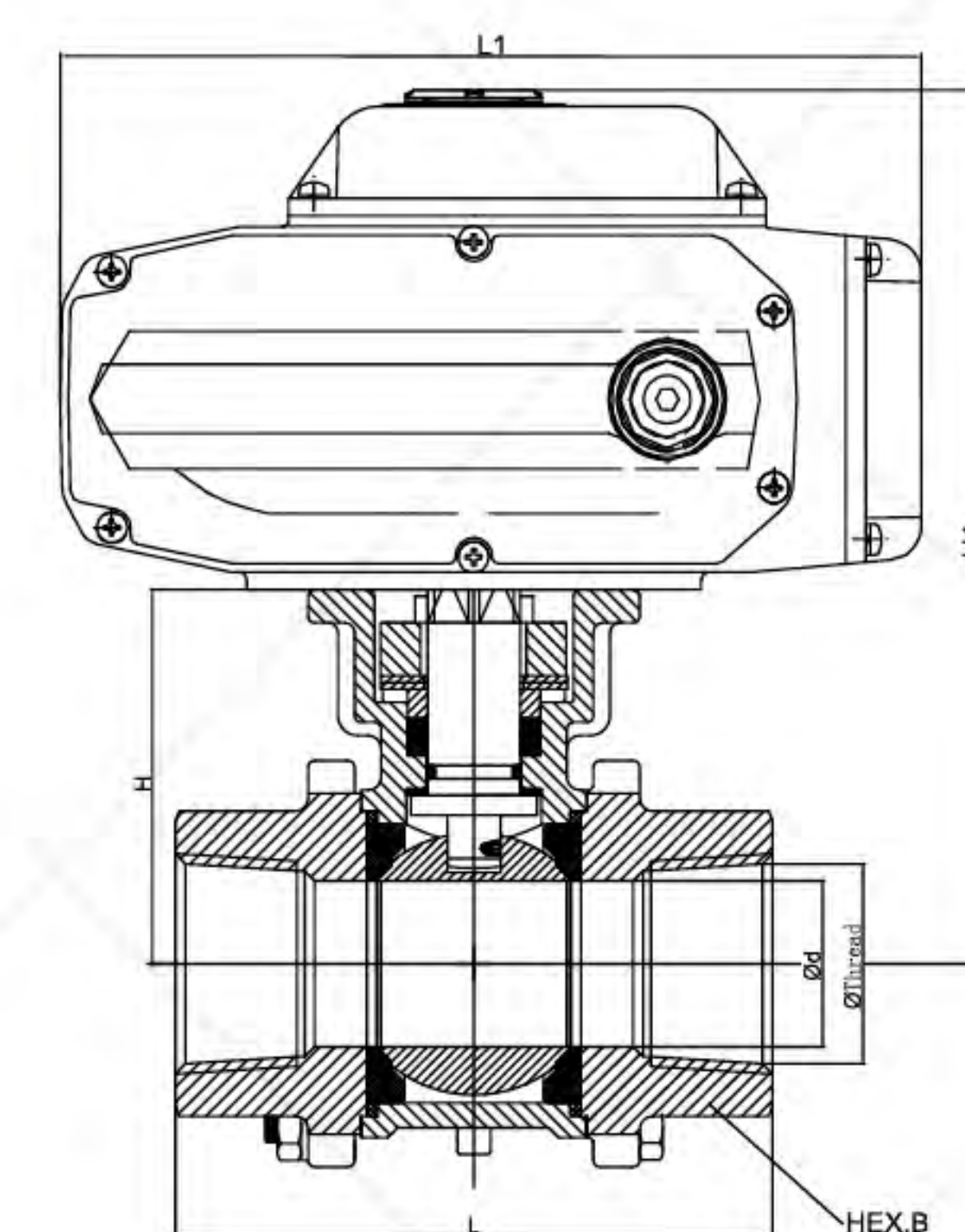
### ■ Dimensional Data

Size		d	L	H	HEX.B	SR		DA		THREAD
DN	In.					H1	L1	H1	L1	
15	1/2	15	89	57	28	145.5	162	134.5	139.5	NPT BSP PT DIN etc
20	3/4	20	89	57	34.5	145.5	162	134.5	139.5	
25	1	25	90	56.4	46	161.4	207	144.9	162	
32	1 1/4	32	110	70.3	52	175.3	207	158.8	162	
40	1 1/2	38	120	79	58.5	195.5	237.5	184	207	
50	2	50	140	86.7	71.5	203.2	237.5	191.7	207	
65	2 1/2	64	185	114	86.5	240.5	271.5	230.5	237.5	
80	3	72	205	121	101	280.5	328	250.5	271.5	
100	4	100	240	140	128	311.5	366	299.5	328	



### ■ Dimensional Data

Size		d	L	H	HEX.B	L1	H1	THREAD
DN	In.							
15	1/2	15	89	57	28	165	194.5	NPT BSP PT DIN etc
20	3/4	20	89	57	34.5	165	194.5	
25	1	25	90	56.4	46	165	193.5	
32	1 1/4	32	110	70.3	52	165	207.8	
40	1 1/2	38	120	79	58.5	165	216.5	
50	2	50	140	86.7	71.5	211.5	255.2	
65	2 1/2	64	185	114	86.5	259	317	
80	3	72	205	121	101	259	324	
100	4	100	240	140	128	259	343	



ALL VALVES ARE 100% ELECTRONICALLY TESTED AT 80 PSI IN BOTH THE OPEN AND CLOSED POSITIONS